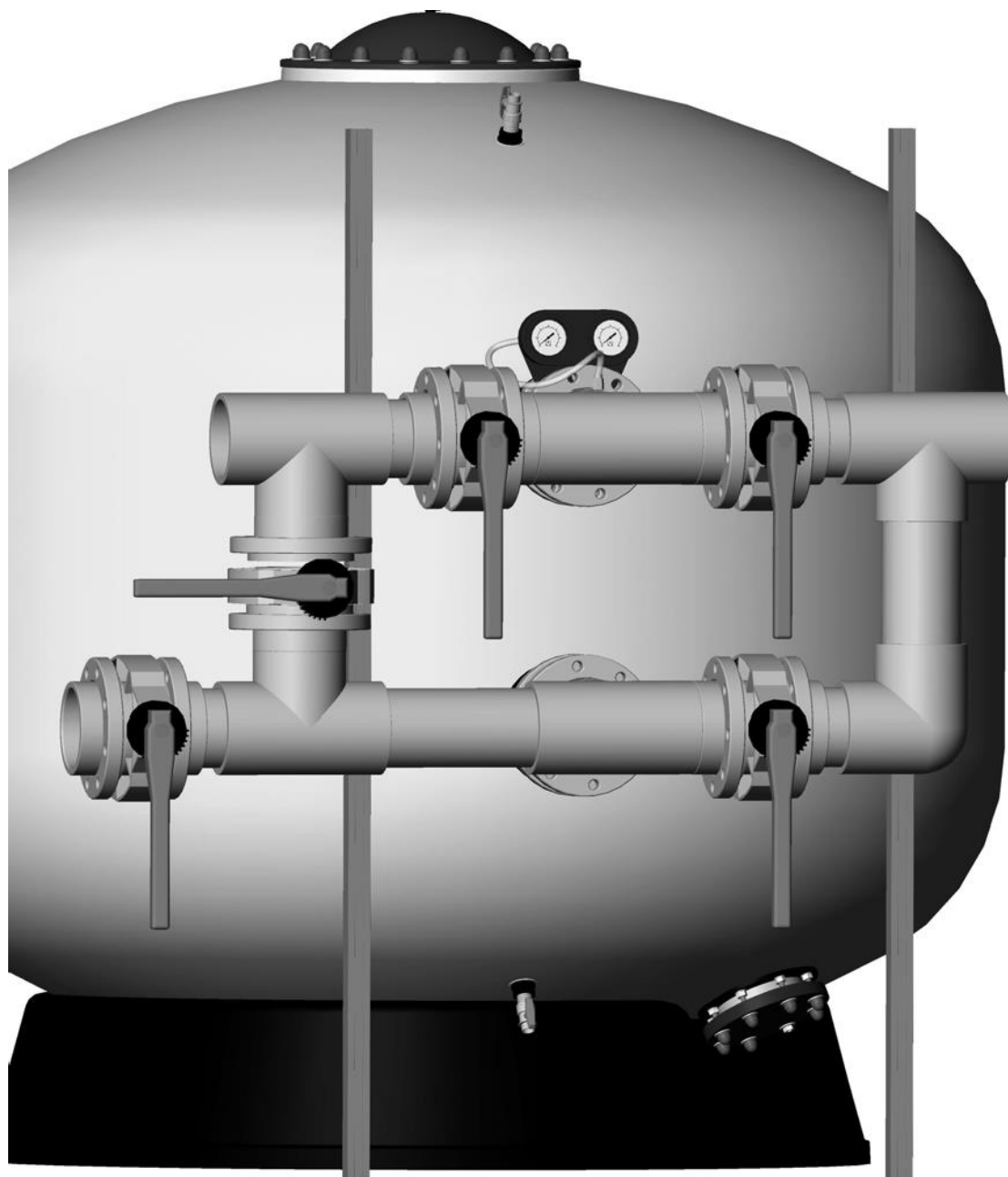


**INSTRUCTION AND OPERATIONAL MANUAL  
MANUEL D'INSTRUCTIONS ET DE FONCTIONNEMENT  
MANUAL DE INSTRUCCIONES Y FUNCIONAMIENTO  
BEDIENUNGS- UND BETRIEBSANLEITUNG  
MANUALE DI ISTRUZIONI E DI FUNZIONAMENTO  
MANUAL DE INSTRUÇÕES E FUNCIONAMENTO**



**INDUSTRIAL POLYESTER FILTERS  
FILTERS INTUSTRIELS EN POLYESTER  
FILTROS EN POLIÉSTER INDUSTRIALES  
INDUSTRIEFILTER IN POLYESTER-AUSFÜHRUNG  
FILTRI IN POLIESTERE INDUSTRIALE  
FILTROS EM POLIÉSTER INDUSTRIAIS**

---

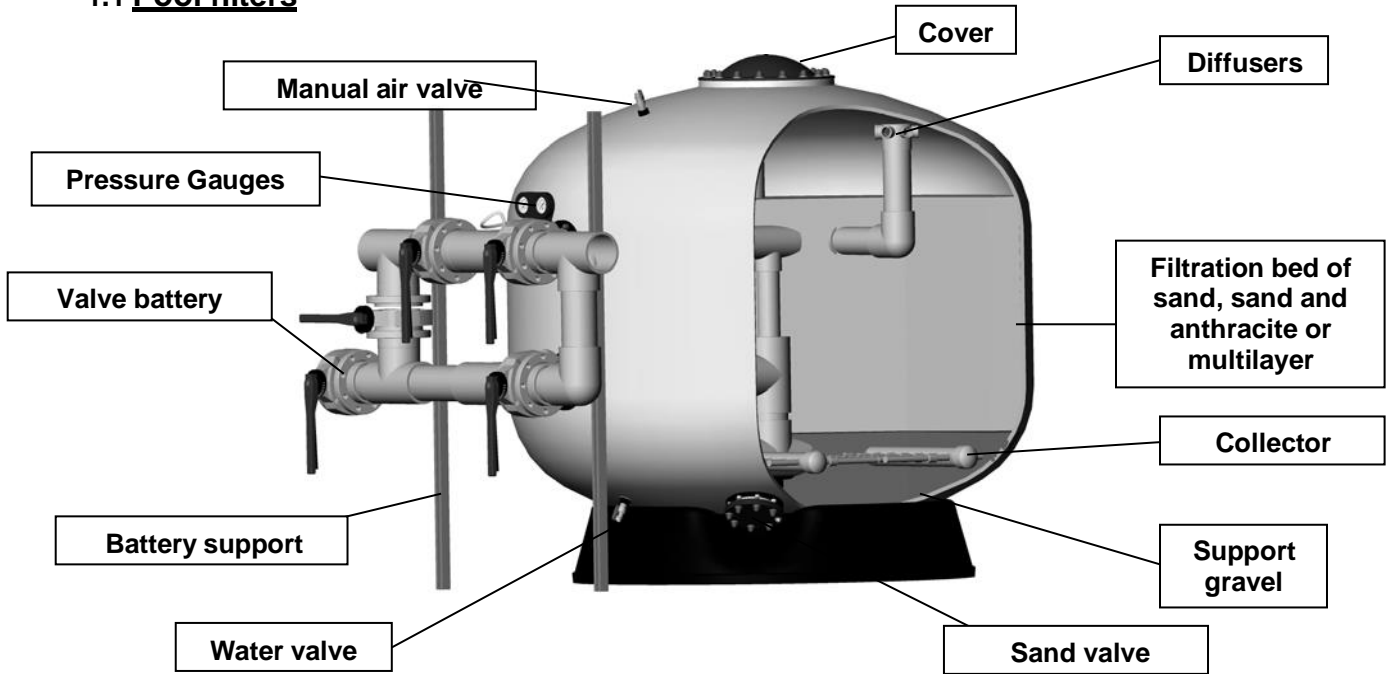
<b>CHECK THE PACKAGING</b> .....	<b>1</b>
<b>1. GENERALITIES</b> .....	<b>1</b>
1.1 Pool filters.....	1
1.2 Filters.....	2
1.3 Choosing the filters and the type of installation .....	2
1.3.1 Characteristics of the filters.....	2
1.3.2 Characteristics of the installation.....	2
<b>2. INSTALLATION</b> .....	<b>3</b>
2.1 Filter handling.....	3
2.2 Filter installation .....	4
a. Install the filter(s) into its (their) exact location .....	4
b. Assemble the battery(s) or selector valve and the pressure gauges correctly onto the filter(s)---	5
c. Install the adequate supports and adjust them (height).....	6
d. Connect the battery or selector valve with the pump return tubing, the return tubing to the pool and the drainage tubing.....	6
<b>3. START-UP</b> .....	<b>7</b>
<b>4. NORMAL OPERATION CYCLE</b> .....	<b>7</b>
4.1 Filtration.....	7
4.2 Wash.....	8
4.3 Rinse.....	8
4.4 Drainage.....	8
4.5 Closure.....	9
<b>5. VALVE BATTERY. THEIR POSITION IN EACH OPERATION</b> .....	<b>9</b>
5.1 4-valve batteries.....	9
5.2 5-valve batteries.....	9
<b>6. TABLE OF HEAD LOSS FROM THE FILTERS, WITH SAND</b> .....	<b>9</b>
<b>7. MAINTAINING THE POOL FILTERS</b> .....	<b>10</b>
7.1 Draining the sand from the filter.....	10
7.2 Wintering the filter.....	10
<b>8. SAFETY WARNINGS</b> .....	<b>10</b>
<b>9. POSSIBLE FAULTS</b> .....	<b>11</b>

# CHECK THE PACKAGING

Check that the filter and all its components are in good condition after transportation. There is a box with the filter, which contains pressure gauges, along with other accessories. There will also be a guarantee.

## 1. GENERALITIES

### 1.1 Pool filters



The filters are, without a doubt, the most important accessories for water clarification. And their object is to eliminate suspended materials that pollute the water.

The effectiveness of proper filtration affects the results of the water disinfectant.

The physical principle of filtration consists in trapping the suspended particles found in the water as they pass through the filtration sand bed.

The water filtration and purification process includes a whole variety of elements, besides the filter, to take into account, like the pumps, chemical water treatments, pool structure accessories for ensuring the return and suction of the water, as well as other elements capable of ensuring proper circulation and maintaining water quality.

Normally, each country has its own legislation, and the installers should consult them before carrying out any design or installment. For this reason, the elements and materials of the project should be designed and defined respecting the established standards.

Filtration quality depends on various parameters: the conception and form of the filter, the height of the filtration bed, the characteristics and grading of the filtration mass, etc. It should be noted that the filtration speed is a determining factor for obtaining good filtration quality.

Other important concepts to keep in mind when choosing a filter are the characteristics of the materials used in its manufacture, its working temperature and its working pressure.

## 1.2 Filters

For manufacturing the filter deposit, materials like polyester resins and fiberglass are used. The collector and diffuser, found inside it, are made of plastic material.

It designed to withstand admissible pressure and temperature showed in filter label. This **pressure and temperature must never exceed as they mean maximum value**. Regular working level always should be up to 20% below the maximum admissible pressure.

**EXCLUSIVE FOR SWIMMING POOL**

## 1.3 Choosing the filters and the type of installation

### 1.3.1 Characteristics of the filters

For properly filtering pool water, we recommend that the maximum re-circulation time for the entire water volume of the pool be the following:

Public pools	4 hours
Residential pools	8 hours
Public pools for children	1,5 hours

On the other hand, another important parameter that directly affects filtration quality is the speed of the water passing through the filters. We recommend the following speeds:

Public pools:	20 m <sup>3</sup> /h/m <sup>2</sup>
Residential pools:	40 m <sup>3</sup> /h/m <sup>2</sup>

For other applications, filtration velocity will depend on the effluent water velocity, application and the own installation design. Anyway, territorial legislation should be checked.

For proper filtration, we do not recommend exceeding 40 m<sup>3</sup>/h/m<sup>2</sup>, keeping in mind that the filtration quality depends directly upon the grading of the filtration media and the height of the filtration bed.

Filters are designed to work under pressure. If there is some possibility **depression** happens, it is essential to install a **double effect vacuum valve**.

It is necessary to ensure that the installation conforms to the filters to prevent overpressure and depression.

### 1.3.2 Characteristics of the installation

For choosing the pump, you must take the necessary flow of 10 m.c.a. into account.

It is necessary to have installed an appropriate prefilter for the installation.

As for the number of pumps to be installed, we advise placing the same number of pumps as there are filters, each one with the flow necessary to obtain the desired filtration speed in a filter.

However, the return of each pump should flow into the general inlet tubing that is directed towards the filters. In this way, when the filters are filtering the pool water, all the pumps are operating. On the other hand, when you want to wash the filters, they are done alternately, meaning that with all the pumps operating, a determined number of filters will be closed (in order to obtain a wash speed from 40 to 50 m<sup>3</sup>/h/m<sup>2</sup>). Once the first group of filters is washed, these will close and then the second group will be washed.

With this set-up, we eliminate the need for having spare pumps for washing the filters.

Just like with the return, we recommend that the suction tubing of each pump comes from the general water suction tubing of the pool.

For obtaining good pool water quality, it is necessary to design the installation in such a way that the water to be filtered comes from both the surface and the bottom of the pool.

When calculating the return and suction tubing for the pool water, keep the following speeds in mind:

- Return line of filtered water to the pool: Maximum speed in the line: 2 m/sec
- Suction line of water to be filtered: Maximum speed in the line: 1.5 m/sec

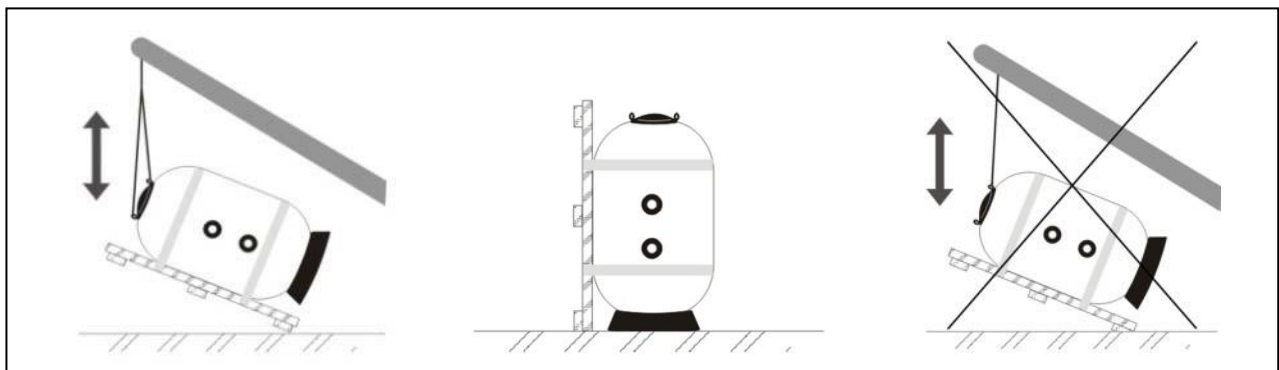
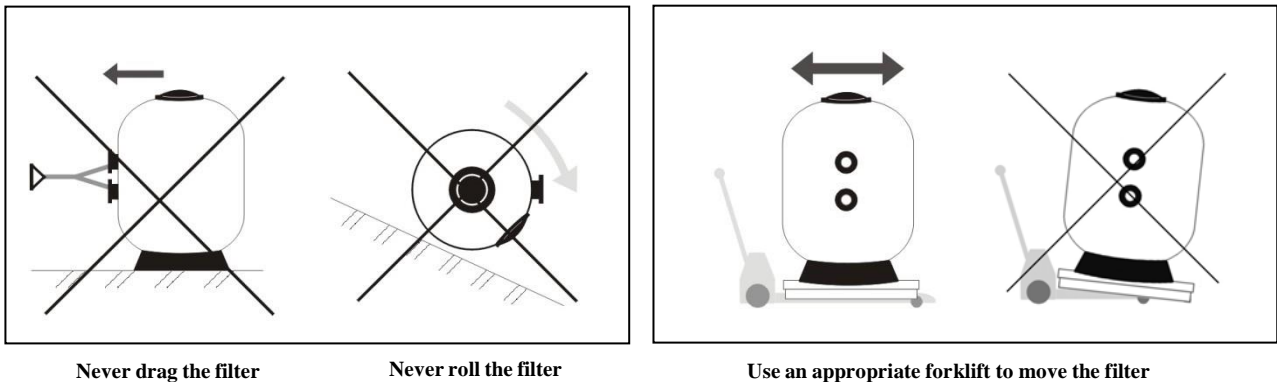
It is important to design the installation to maintain a minimum stability (avoid excessive starting up and stopping up pumps) in order to avoid unnecessary continuous pressure variations in the filter as it can cause fatigue and reduces its life.

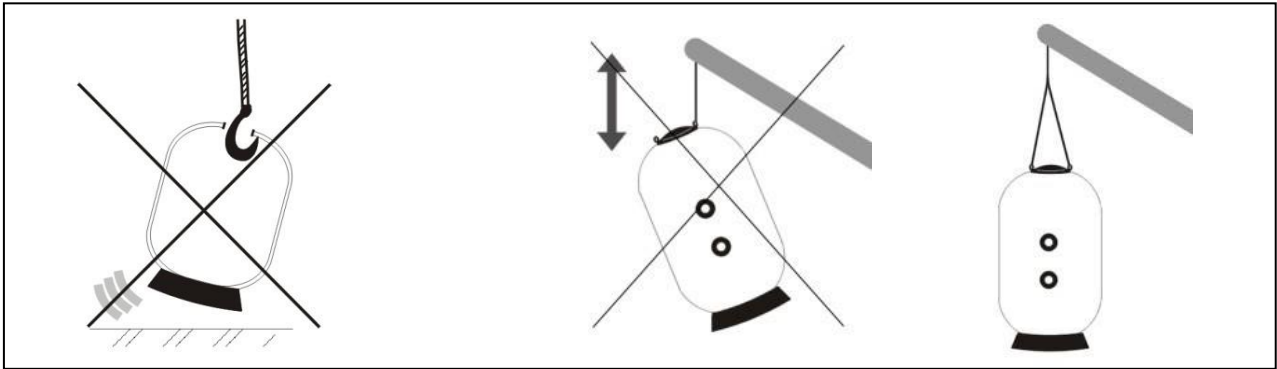
In addition, to reduce this effect, it is recommended to use of an inverter in the pump starts and stops in the pump in order to make the pressure increase or decrease as more linear as possible.

## 2. INSTALLATION

### 2.1 Filter handling

NOTE: Filters are delivered conveniently packed and due to their weight, size and difficulties arising in placing them, we recommend that their handling and movement be done with mechanical apparatus (forklifts, cranes, etc.).





**Hooks are FORBIDDEN for moving filters**

**Use both elevation rings to move the filters**

Sand should be loaded once the filter is installed into its exact location, following the instructions in the START-UP SECTION.

## **2.2 Filter installation**

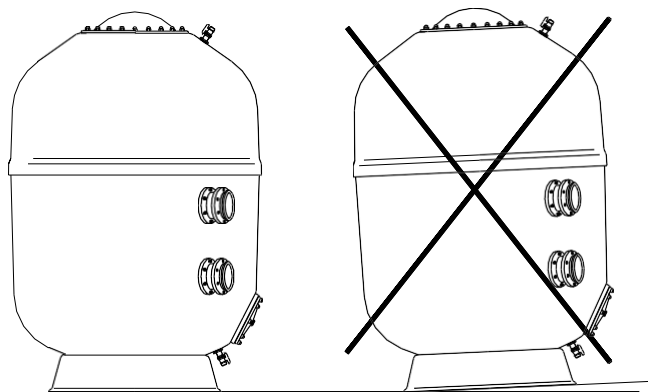
The steps to be taken for correctly installing the filters are the following:

### **a. Install the filter(s) into its (their) exact location**

We recommend that the housing, where the filters are installed, has ventilation and adequate drains so that, in case of an accident, the water can escape through any tube, filter, pump, etc. By being able to evacuate it, the risk of damaging existing installations (pumps, control panels, etc.) is avoided.

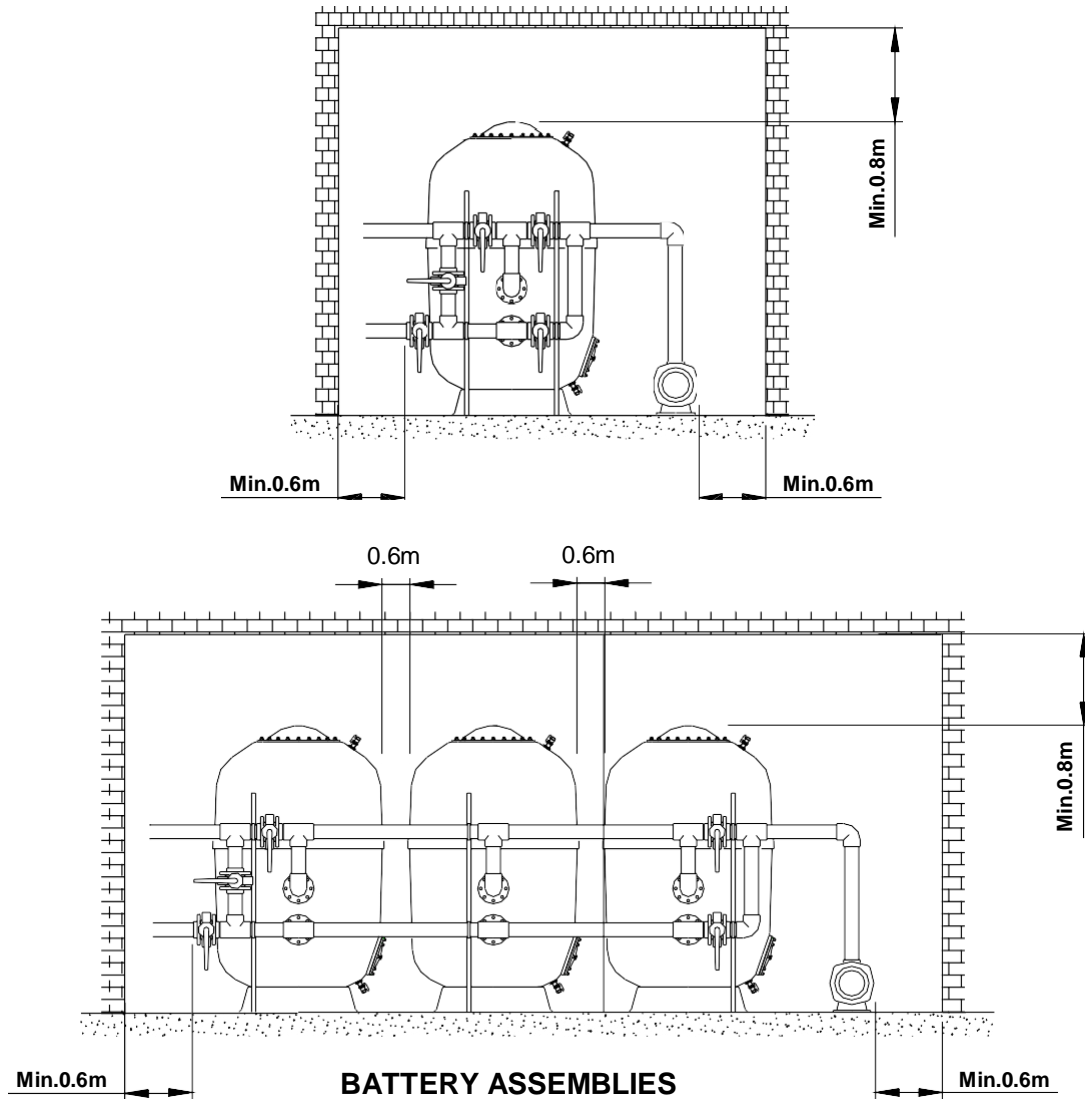
If for any reason, these drains are unavailable, an alternative automated system should be installed for evacuating water from the chamber.

The filters should be installed in such a way that the base lies completely stable upon a totally horizontal surface.



**Set the filter on a totally horizontal surface**

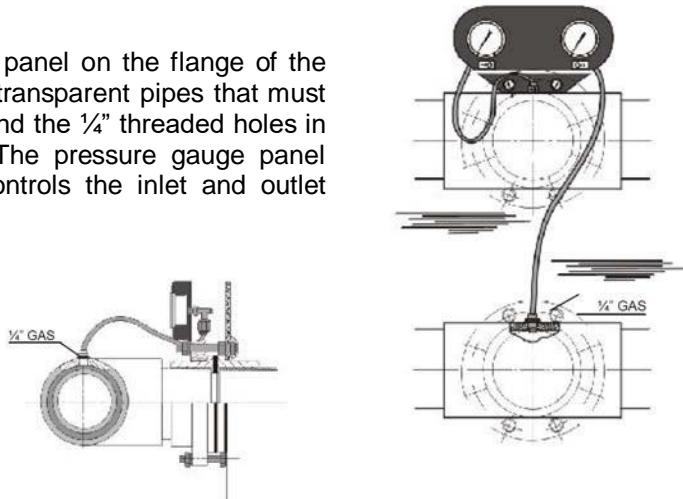
Given the fact that the filters require periodic inspections and in preparation for eventual interventions inside it, leaving a minimal amount of free space around and above the filter is **ESSENTIAL**



Once the installation is finished and before putting the sand inside the filter, you should start the system and check there is no leaking and all of the elements operate correctly.

**b. Assemble the battery(s) or selector valve and the pressure gauges correctly onto the filter(s)**

Once you have installed the pressure gauge panel on the flange of the filter connection, note the flexible plastic and transparent pipes that must be connected between the pressure gauges and the 1/4" threaded holes in the battery tees, as the illustration shows. The pressure gauge panel clearly identifies the pressure gauge that controls the inlet and outlet pressures.



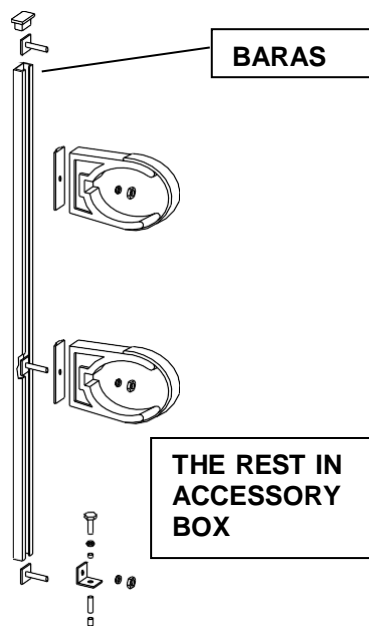
**c. Install the adequate supports and adjust them (height)**

Battery supports

Once the battery has been installed, should be installed special supports for supporting the weight of the battery and the water that circulates through it.

We recommend installing the following height-adjustable supports:

<b>ZINC-COATED STEEL TUBE (BARS)</b>	
Height of 1.85 m	
Height of 2.30 m	
Height of 3.00 m	
<b>ACCESSORY BOX</b>	
2 anti-vibration brackets, anchor plug and accessories	
For tube D 75	For tube Ø160 - 4 valves
For tube D 90	For tube Ø200 - 4 valves
For tube D 110	For tube Ø225 - 4 valves
For tube D 125	For tube Ø160 - 5 valves
For tube D 140	For tube Ø200 - 5 valves
	For tube Ø225 - 5 valves



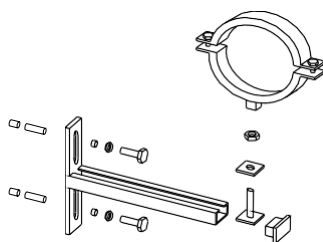
- When choosing the bar, check out the height of the chosen filter's connections.
- For the accessory box, check out the diameter of the batteries and the number of valves.
- For the battery of just one filter, two bars and two accessory boxes are necessary, for batteries of two or more filters; we recommend at least one bar and box per filter.

For installing, first, you have to adjust the height of the brackets in relation to the battery and then fasten the support on the floor with the corresponding anchor.

Tubing supports

When assembling the installation, you have to place supports on the tubing sections in order to avoid vibrations and buckling that could damage or break them. For this reason, we recommend installing the supports:

<b>Ø Tubing</b>
75
90
110
125
140
160
200
225



For installing them, follow the steps below:

- Take the bracket apart in two halves.
- Set the inner half of the bracket into the iron supports.
- Mark the position of the support.
- Drill the holes into the wall.
- Fasten the support onto the wall.
- Fasten the tubing with the flange

**d. Connect the battery or selector valve with the pump return tubing, the return tubing to the pool and the drainage tubing**



### 3. START-UP

**ATTENTION: Do not clean the plastic components with products can damage the material**

For correctly filling the filters with sand, it is essential:

#### Checking

1. After finishing the installment and before placing media inside the filters, you should carry out a hydraulic check of both the filters and the installation in order to make sure that it is assembled properly. Drain the filter.
2. Removing the filter cover, trying not to damaging the joint and the cover lock.
3. Making sure all the filter components (collector arms, etc.) are in good shape, since they could have suffered some damage during transport.

#### Starting-up

4. Filling the filter about halfway with water. Fill the filter media carefully starting from the bottom layers (taking into account its granulometry respect to slot pitch of the collecting system) until covering the collector system (approximately 10 cm). This should be done very carefully so as not to damage the inner filter components. As the filter is being filled with sand, take the precaution of distributing the sand over the entire filter surface.
5. To help on the homogeneous distribution of the sand it is necessary to perform a short filter washing In the middle of the charging process.
6. Introducing filter media in size up to the maximum limit of filtration height (refer to model)
7. Clean the surface of the filter neck, the joint and the cover meticulously before assembling. Closing the filter by placing the joint in the correct position and replacing the cover carefully without moving it from its position

Before starting, after loading and conveniently closing the filter, washing the filter is necessary. In order to do so, follow the instructions in the filter wash section.

**NOTE: The manufacturer is not responsible for any damage caused to the filter on handling, installation and starting up operations**

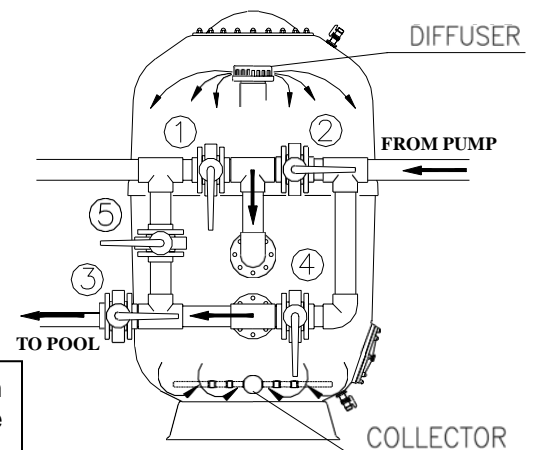
### 4. NORMAL OPERATION CYCLE

#### 4.1 Filtration

WITH THE PUMP STOPPED, place the valves in the filter position indicated in the diagram.

As the filtration bed gets dirty through use, the inlet pressure gauge will experience an increase in pressure while the outlet pressure gauge will suffer a drop. So, we recommend periodically observing the pressure gauges of the inlets and outlets and washing the filter when the pressure difference is equal to or greater than the label shows.

As for filters with **nozzle plate**, it is highly **recommended** to wash (section 4.2) when the pressure difference is **0.6 bar**. This difference can **never exceed 0.8 bar**



**ATTENTION: NEVER EXCEED FILTER'S MAXIMUM ADMISSIBLE PRESSURE**

## 4.2 Wash

For performing the wash operation and ALWAYS WITH THE PUMP STOPPED, place the valves in the wash position indicated in the diagram.

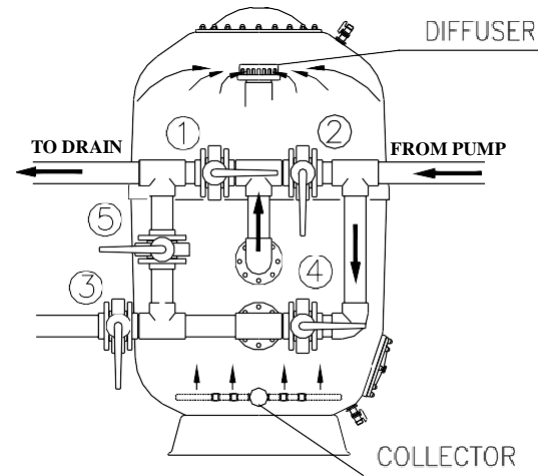
Filtration bed forms thousands of water canals, which logically collect the impurities and solid residues that comes from filtering water. With time, these residues block the water canals, so that periodically cleaning the filter in order to leave it in optimal working conditions and pouring the dirt found in the filtration bed through the drain is necessary.

It is recommended washing time would be 7 minutes at a speed between 40 and 50 m<sup>3</sup>/h/m<sup>2</sup>.

We advise placing a sighting-tube in the drainage tubing in order to observe the dirtiness of the water coming from the filter when cleaning and to determine the length of the washing time.

Not surpassing 50 m<sup>3</sup>/h/m<sup>2</sup> in order to avoid some of the sand from being expelled through the drain and to prevent damage to the filter. Check filtration media characteristics.

When using air to perform a backwash, use the adequate air flow (recommended rates of 60 m<sup>3</sup>/h/m<sup>2</sup>). NEVER USE A COMPRESSOR, since this could severely damage the filter. Use a blower, ensuring that the internal pressure of the filter when backwashing does not exceed 1 bar. Make sure that there is an air vent open when backwashing with air.



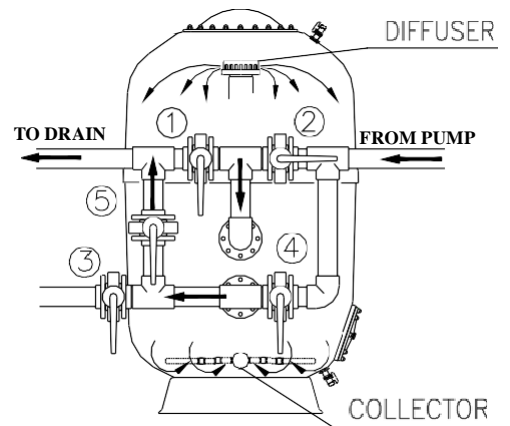
## 4.3 Rinse

This operation is recommended after the WASH. Its objective is expelling the remains of residues that could have penetrated the collectors during the wash cycle of the filter.

This operation should be done during 3 minutes and this will prevent water contamination.

For performing this operation, place the valves into the rinse position indicated in the diagram, ALWAYS WITH THE PUMP STOPPED, and immediately after, place them to the filter position.

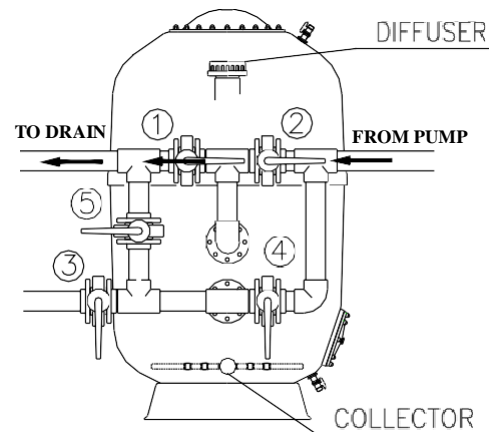
The rinse operation can only be performed if the battery has 5 valves or if we have a selector valve in the filter.



## 4.4 Drainage

Empty the pool when necessary and in case the pool does not have a drain on the bottom directly connected to the sewer system, drainage can be carried out by using the filter pump. Place the valves in drainage position indicated in the diagram.

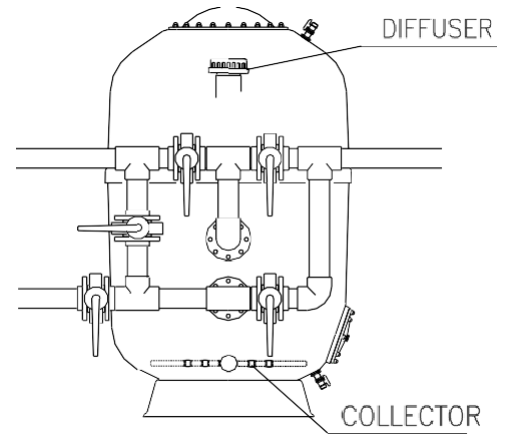
For this end and before connecting the drainage, the skimmer valves, the overflow canal and the bottom cleaner must be closed



## 4.5 Closure

As its name indicates, all the battery valves are closed.

This operation is used for maintaining the filter, cleaning the pre-filter, etc.

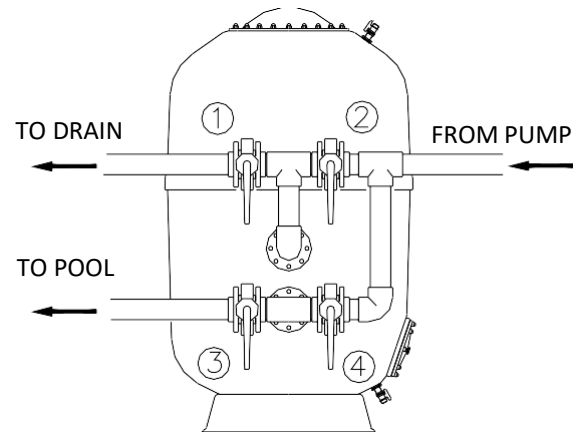


## 5. VALVE BATTERY. THEIR POSITION IN EACH OPERATION

### 5.1 4-valve batteries

Control diagram for 4-valve batteries.

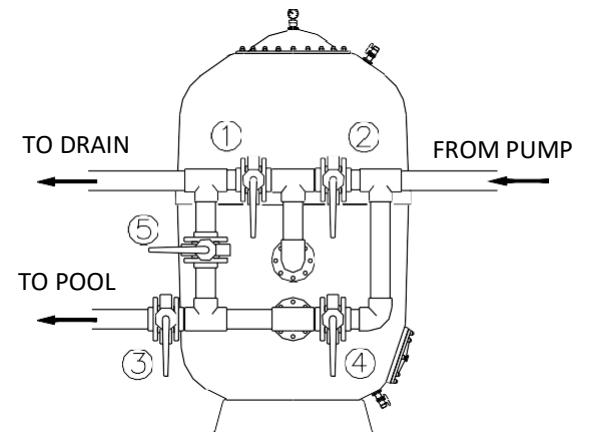
Position	1	2	3	4
Filtration	Closed	Open	Open	Closed
Wash	Open	Closed	Closed	Open
Drainage	Open	Open	Closed	Closed
Closure	Closed	Closed	Closed	Closed



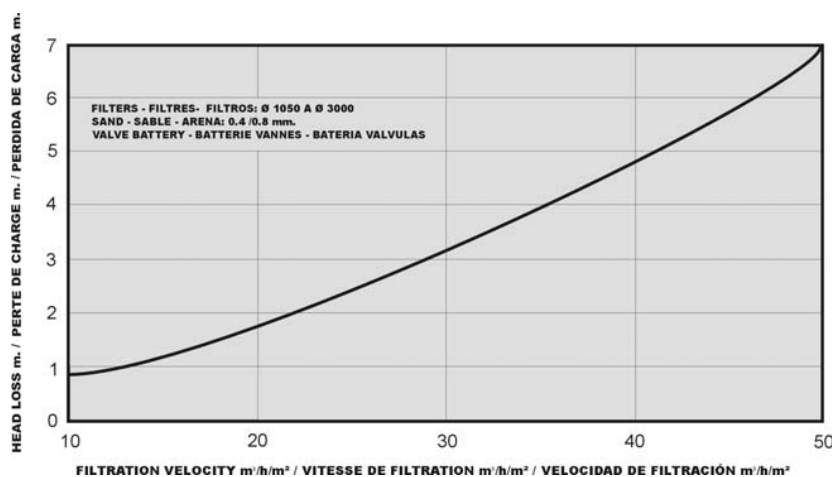
### 5.2 5-valve batteries

Control diagram for 5-valve batteries.

Position	1	2	3	4	5
Filtration	Closed	Open	Open	Closed	Closed
Wash	Open	Closed	Closed	Open	Closed
Rinse	Closed	Open	Closed	Closed	Open
Drainage	Open	Open	Closed	Closed	Closed
Closure	Closed	Closed	Closed	Closed	Closed



## 6. TABLE OF HEAD LOSS FROM THE FILTERS, WITH SAND



## **7. MAINTAINING THE POOL FILTERS**

- Always having the filters in the proper conditions is important, since the good quality of the water depends on it.
- Having all the components in the proper conditions is important. For this end, they should be checked regularly, and deteriorated joints and pieces should be substituted when necessary.
- For cleaning the filter, do not use solvents, since they can damage components made with plastic material. The filter can be cleaned easily with water and soap.
- Media should be changed periodically. Check to your supplier.
- The filtrate media and the inlet/outlet connections, it should be adequate and it should be maintained in good conditions to avoid the polyester degradation.

### **7.1 Draining the sand from the filter**

Pay attention to security warnings

For emptying sand from the filter, proceed in the following way:

1. Drain the water from the filter.
2. Remove the cover.
3. As the sand is draining, remove it from the valve in order to prevent blockage.
4. It will be necessary for someone to enter the filter through the upper mouth in order to bring the sand closer to the valve for facilitating its exit.

For refilling the filter with sand, follow the START-UP instructions.

### **7.2 Wintering the filter**

For not damaging the filter components during the wintertime, the following steps are necessary:

- Carry out a wash and rinse according to the instructions.
- Stop the pumps.
- Drain the water from the filter.
- Close the valve of the suction and return tubing in order to isolate the filter.
- Remove the cover from the filter in order to keep the filter ventilated during the period of inactivity.
- We advise draining all the tubing in order to prevent them from bursting in case of frosts.

## **8. SAFETY WARNINGS**

- Before manipulating the filter or valves, make sure that the pump is stopped and the filter has no pressure. For greater safety, disconnect the pump and possible electric installations connected to the mains
- Never connect the filter directly to the water supply, since its pressure can be higher than the maximum pressure of the filter
- Always evacuate the air from inside the filter before starting a cycle
- Due to the unions are made with joints, fastening the nuts very tightly is not necessary
- Do not clean plastic pieces with solvents, they could lose their properties
- Do not let children manipulate the filter or play near them
- Protect the filter from freezing
- Before connecting the pump, make sure that the filter cover is properly closed
- Install the filter in an area provided with ventilation and adequate drains as close as possible to the pool tank, below the water level of the pool in order to avoid causing a depression inside it

## 9. POSSIBLE FAULTS

PROBLEM	CAUSE	SOLUTION
Little filtration flow	Pump pre-filter is dirty	Clean the pre-filter
	The pump motor rotates backward	Reverse the rotation direction of the pump motor
	Dirty filter	Perform a «wash»
	Tubing blocked	Clear tubing
	The pump takes air	Check the entire system and eliminate possible leaks
The pressure gauge oscillates violently	The pump takes air	Check for leaks in the pre-filter and suction tubing
	Suction in semi-closed	Make sure the suction valves are open
The pump takes air	Algae in the pool	Chemically treat
	Dirty filter	Perform a «wash».
	Water pH is high (cloudy water)	Lower the pH
	Lacking chlorine (greenish water)	Add chlorine
Rapid rise in pressure: bubbles in the nozzles	Low level of pool water	Fill the pool
	Suction valves are partially closed	Check and open the valves
	Pump pre-filter is dirty	Clean the pre-filter
Pressure gauge oscillates violently	The pump has air in it	Check the whole installation and eliminate possible leaks
	Suction half closed	Check the suction valves are completely open
Sand is entering in the pool from the filter	There is something broken in the collector system	Repair the collector system
Sand is escaping to the drain during backwash	Excessive water flow during backwash	Reduce the flow rate during backwash
Leaks in the connections or lids	Loose screws, dirty joints or misplaced	Tighten the screws, being careful not to break any plastic pieces, clean or install the joint correctly. If the problem is not resolved, phone technical support

- **When in doubt, consult service**
- **In case of breach of manual, the manufacturer is not liable for any damage caused**

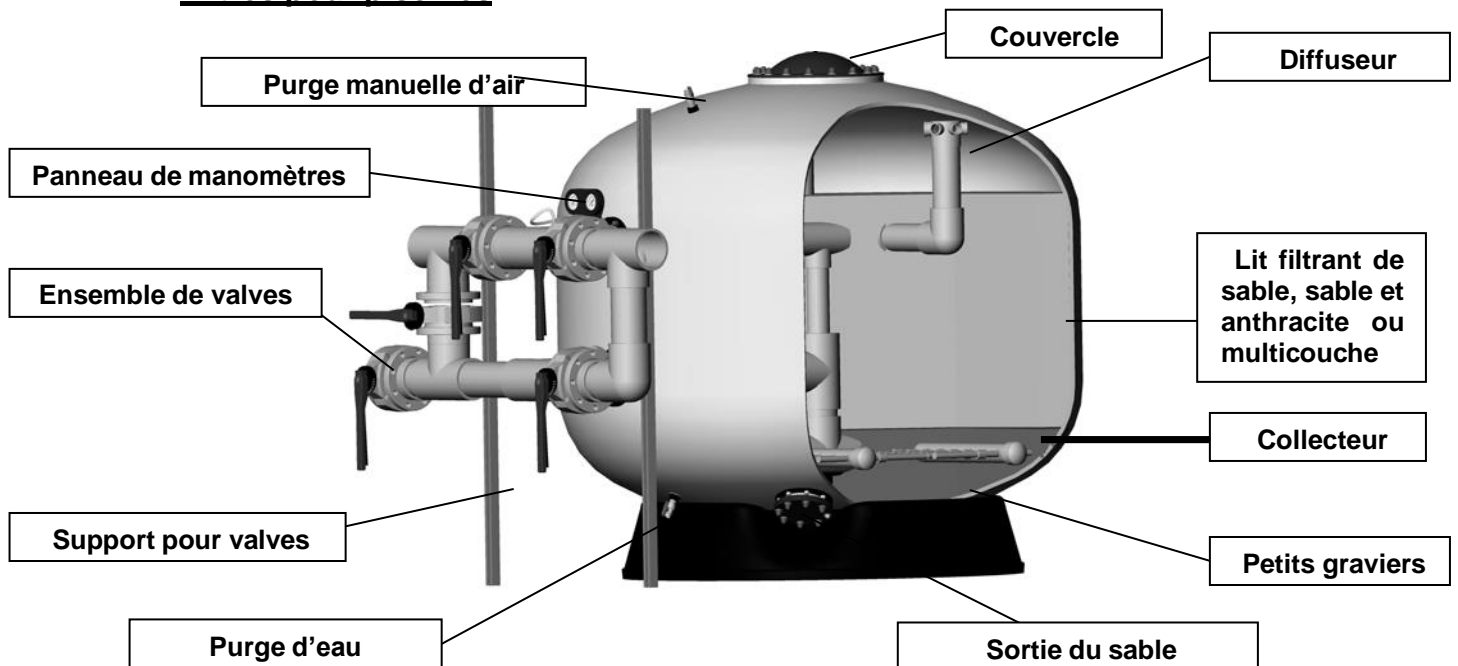
<b>VERIFICATION DE L'EMBALLAGE</b> -----	<b>1</b>
<b>1. GÉNÉRALITÉS</b> -----	<b>1</b>
1.1 Filtres pour piscines.....	1
1.2 Les filtres.....	2
1.3 Choix des filtres et du type de l'installation-----	2
⌘ 1 Caractéristiques des filtres.....	2
⌘ 2 Caractéristiques de l'installation.....	2
<b>2. INSTALLATION</b> -----	<b>3</b>
2.1 Manipulation des filtres.....	3
2.2 Installation des filtres.....	4
a. Installer le ou les filtres dans leur emplacement définitif-----	4
b. Monter l'ensemble des valves de sélection et des manometres dans le ou les filtres-----	5
c. Installer les supports, et les ajuster correctement (hauteur)-----	6
d. Brancher l'ensemble de valves de sélection aux conduites d'impulsion de la ou des pompes, à la conduite de retour vers la piscine et à la conduite d'évacuation-----	6
<b>3. MISE EN MARCHÉ</b> -----	<b>7</b>
<b>4. CYCLE NORMAL DE FONCTIONNEMENT</b> -----	<b>7</b>
4.1 Filtration.....	7
4.2 Lavage.....	8
4.3 Rinçage.....	8
4.4 Vindange.....	8
4.5 Fermeture.....	9
<b>5. ENSEMBLE DES VALVES: POSITIONS RESPECTIVES POUR CHAQUE TYPE D'OPERATION</b> --	<b>9</b>
5.1 Ensemble à 4 valves.....	9
5.2 Ensemble à 5 valves.....	9
<b>6. TABLEAU DE PERTES DE CHARGE DES FILTRES AVEC MILIEU FILTRANT</b> -----	<b>9</b>
<b>7. ENTRETIEN DES FILTRES POUR PISCINES</b> -----	<b>10</b>
7.1 Vidange du milieu filtrant du filtre.....	10
7.2 Conservation du filtre pendant l'hiver.....	10
<b>8. AVERTISSEMENTS DE SECURITE</b> -----	<b>10</b>
<b>9. PROBLEMES POSSIBLES</b> -----	<b>11</b>

# VERIFICATION DE L'EMBALLAGE

Vérifier que le filtre et tous ses composants sont en bon état et qu'ils n'ont pas été endommagés par le transport. Vous trouverez, joints au filtre, le manomètre et autres accessoires auxiliaires cités dans ce manuel, ainsi que la documentation nécessaire, la garantie.

## 1. GÉNÉRALITÉS

### 1.1 Filtres pour piscines



Les filtres sont sans doute les accessoires les plus importants pour la clarification de l'eau. Leur utilisation a pour but d'éliminer les matières en suspension qui contaminent l'eau.

L'efficacité d'une bonne filtration détermine les résultats du traitement de l'eau.

Le principe physique de la filtration consiste à retenir les particules en suspension dans l'eau pendant son passage à travers le lit de sable filtrant.

L'opération de filtrage et d'épuration de l'eau comprend toute une variété d'éléments à prendre compte, en plus du filtre : les pompes, les traitements chimiques de l'eau, les accessoires de la piscine pour permettre le retour de l'eau et son aspiration, ainsi que d'autres éléments permettant de garantir une circulation correcte et un maintien de la qualité de l'eau.

Normalement, chaque pays a sa législation; les installateurs doivent s'y tenir avant de réaliser toute conception ou installation. Ils devront donc définir et concevoir les éléments et les matériaux de chaque projet conformément aux normes en vigueur.

La qualité de filtrage dépend de plusieurs paramètres: la conception du filtre et sa forme, l'épaisseur du lit filtrant, les caractéristiques et la granulométrie de la masse filtrante, etc. Il convient d'indiquer que la vitesse de filtration est une caractéristique déterminante afin d'obtenir une bonne qualité de filtrage.

D'autres aspects importants à prendre en compte dans le choix du filtre sont les caractéristiques des matériaux utilisés pour sa fabrication, sa température de fonctionnement et la pression de travail.

## 1.2 Les filtres

Le réservoir des filtres est fabriqué dans des matériaux tels que résines de polyester et fibre de verre. Les filtres contiennent un collecteur et un diffuseur en matière plastique et sont fournis pour une pression maximale admissible et une température indiquées sur l'étiquette du filtre.

Cette **pression et cette température ne doivent jamais être dépassées et indiquent le niveau maximum**. Le niveau habituel de travail devrait toujours se situer au **maximum à 20% au-dessous** de la pression maximale admissible.

# UTILISATION EXCLUSIVE POUR PISCINE

## 1.3 Choix des filtres et du type de l'installation

### 1.3.1 Caractéristiques des filtres

Pour un filtrage correct de l'eau de la piscine, voici les durées maximales recommandées du cycle de circulation de tout le volume d'eau en fonction du type de piscine:

Piscines publiques	4 heures
Piscines résidentielles	8 heures
Piscines publiques pour enfants	1,5 heure

De plus, un autre paramètre important qui déterminera directement la qualité de filtrage est la vitesse du passage de l'eau à travers les filtres. Nous recommandons les vitesses suivantes:

Piscines publiques	20 m <sup>3</sup> /h/m <sup>2</sup>
Piscines résidentielles	40 m <sup>3</sup> /h/m <sup>2</sup>

Pour d'autres applications, la vitesse de filtration dépendra de la vitesse d'eau effluente de l'application et de la conception de l'installation en soi. En tout cas, il faudra consulter la réglementation du territoire.

Pour un bon filtrage, nous recommandons de ne pas dépasser la vitesse de 40 m<sup>3</sup>/h/m<sup>2</sup>, en tenant compte du fait que la qualité du filtrage dépendra directement de la granulométrie du sable filtrant et de l'épaisseur du lit filtrant.

Les filtres sont conçus pour travailler sous pression. S'il y a une possibilité de **dépression**, il est indispensable d'installer un **clapet casse vide**.

Il est nécessaire de s'assurer que l'installation soit adaptée aux filtres pour éviter absolument une surpression ou une dépression.

### 1.3.2 Caractéristiques de l'installation

Pour choisir la pompe, on doit tenir compte du débit nécessaire de 10 m.c.a.

Il faut nécessairement que l'installation dispose d'un pré-filtre aux caractéristiques nécessaires.

En ce qui concerne le nombre de pompes à installer, il est recommandé de recourir à autant de pompes que de filtres, chacune d'elles avec le débit suffisant pour obtenir la vitesse de filtrage voulue dans le filtre.

Cependant, nous recommandons que l'impulsion de chacune des pompes débouche dans une conduite générale d'impulsion menant aux filtres. De cette manière, lorsque les filtres filtrent l'eau de la piscine, toutes les pompes fonctionneront, et le lavage des filtres pourra se faire par groupe de filtres, c'est-à-dire en fermant les filtres voulus avec toutes les pompes en fonctionnement (afin d'obtenir une vitesse de lavage de 40 à 50 m<sup>3</sup>/h/m<sup>2</sup>). Une fois le lavage du premier groupe de filtres terminé, ces derniers seront fermés et le deuxième groupe sera lavé.

De cette manière, on élimine le besoin de pompes de rechange pour le lavage des filtres.



De même que pour l'impulsion, il est recommandé que la conduite d'aspiration de chaque pompe provienne d'une conduite générale de l'eau de la piscine.

Pour obtenir une bonne qualité d'eau, il est nécessaire de concevoir l'installation de sorte que l'eau à filtrer provienne à la fois de la surface de la piscine comme du fond.

Pour le calcul des conduites d'aspiration et du retour de l'eau de la piscine, on devra tenir compte des vitesses suivantes :

- Ligne de retour de l'eau filtrée vers la piscine: vitesse maximale en ligne: 2 m/s.
- Ligne d'aspiration de l'eau à filtrer: vitesse maximale dans la ligne: 1,5 m/s.

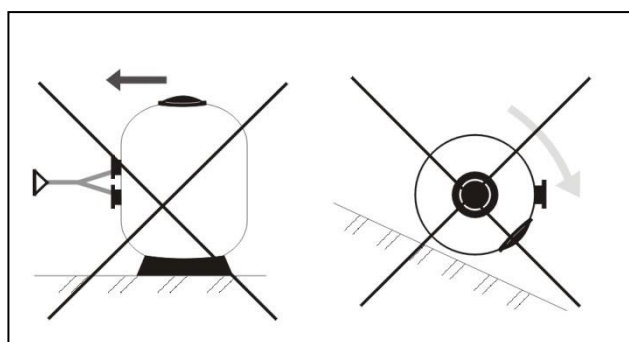
Il est important de concevoir l'installation de sorte à maintenir un minimum de stabilité (éviter un excès de démarrages et arrêts des pompes) afin d'éviter d'inutiles et continuelles variations de pression dans le filtre car cela peut causer son usure et réduire sa vie utile.

De plus, pour réduire cet effet, il est recommandé pour les démarrages et arrêts des pompes d'utiliser un variateur de fréquence sur la pompe pour que l'augmentation et la diminution de pression générées soient aussi linéaires que possible.

## 2. INSTALLATION

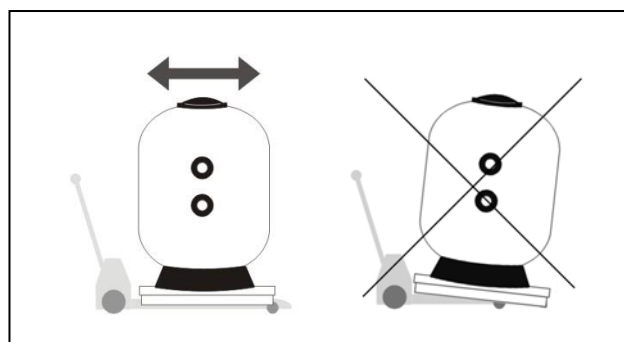
### 2.1 Manipulation des filtres

REMARQUE : les filtres sont fournis correctement emballés et du fait de leur poids, de leurs dimensions et des difficultés se présentant pour leur installation sur place, nous recommandons de procéder à leur manipulation et à leur transport à l'aide de moyens mécaniques (chariots élévateurs, grues, etc.)

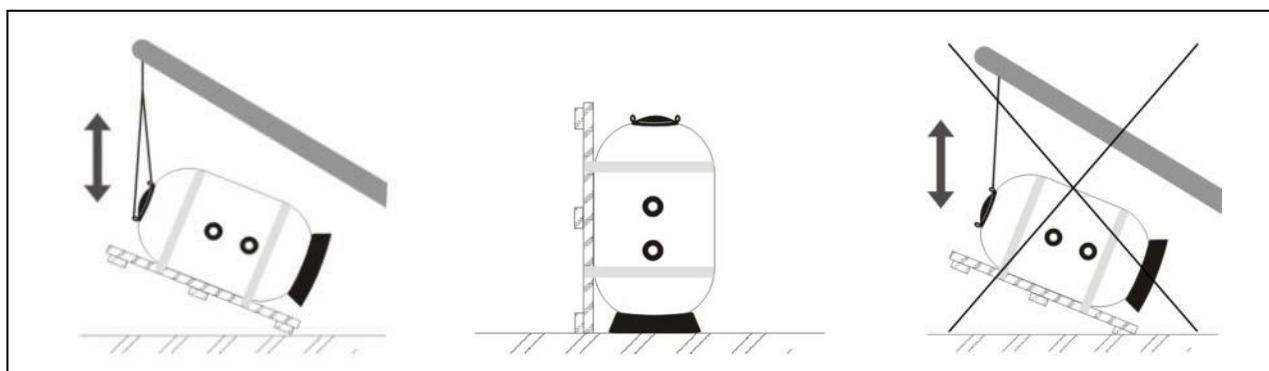


Ne jamais traîner le filtre

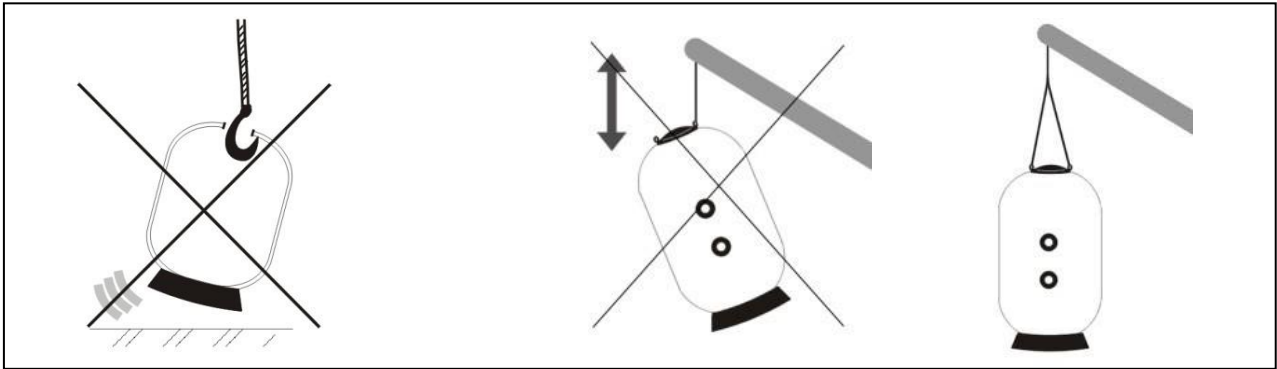
Ne jamais faire rouler le filtre



Utiliser un transpalette ou un diable aux pales adéquates pour transporter le filtre



Utiliser les deux yeux de levage pour mettre en position verticale les filtres transportés en position horizontale



**INTERDICTION d'utiliser des crochets pour transporter les filtres**

**Utiliser les deux yeux de levage pour transporter les filtres**

Le chargement du milieu filtrant doit être effectué après avoir installé le filtre dans son emplacement définitif, en respectant les instructions du paragraphe MISE EN MARCHÉ.

## **2.2 Installation des filtres**

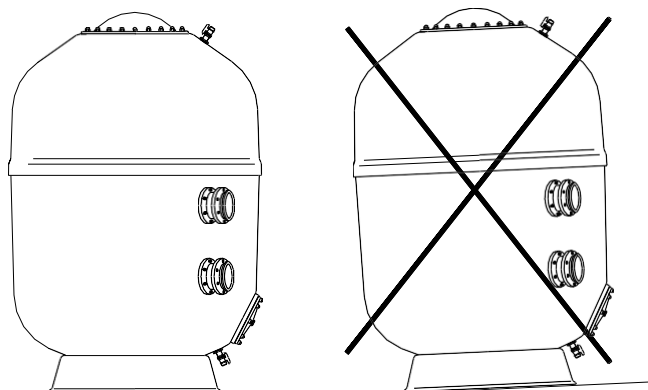
Les étapes à suivre pour une installation correcte des filtres sont les suivantes:

### **a. Installer le ou les filtres dans leur emplacement définitif**

Il est préférable que la salle accueillant les filtres soit bien ventilée et équipée des évacuations nécessaires de sorte que, en cas d'accident, l'eau puisse sortir de n'importe quelle conduite, filtre, pompe, etc. et puisse être évacuée en évitant ainsi le risque de dommages portés aux installations existantes (pompes, tableaux électriques, etc.)

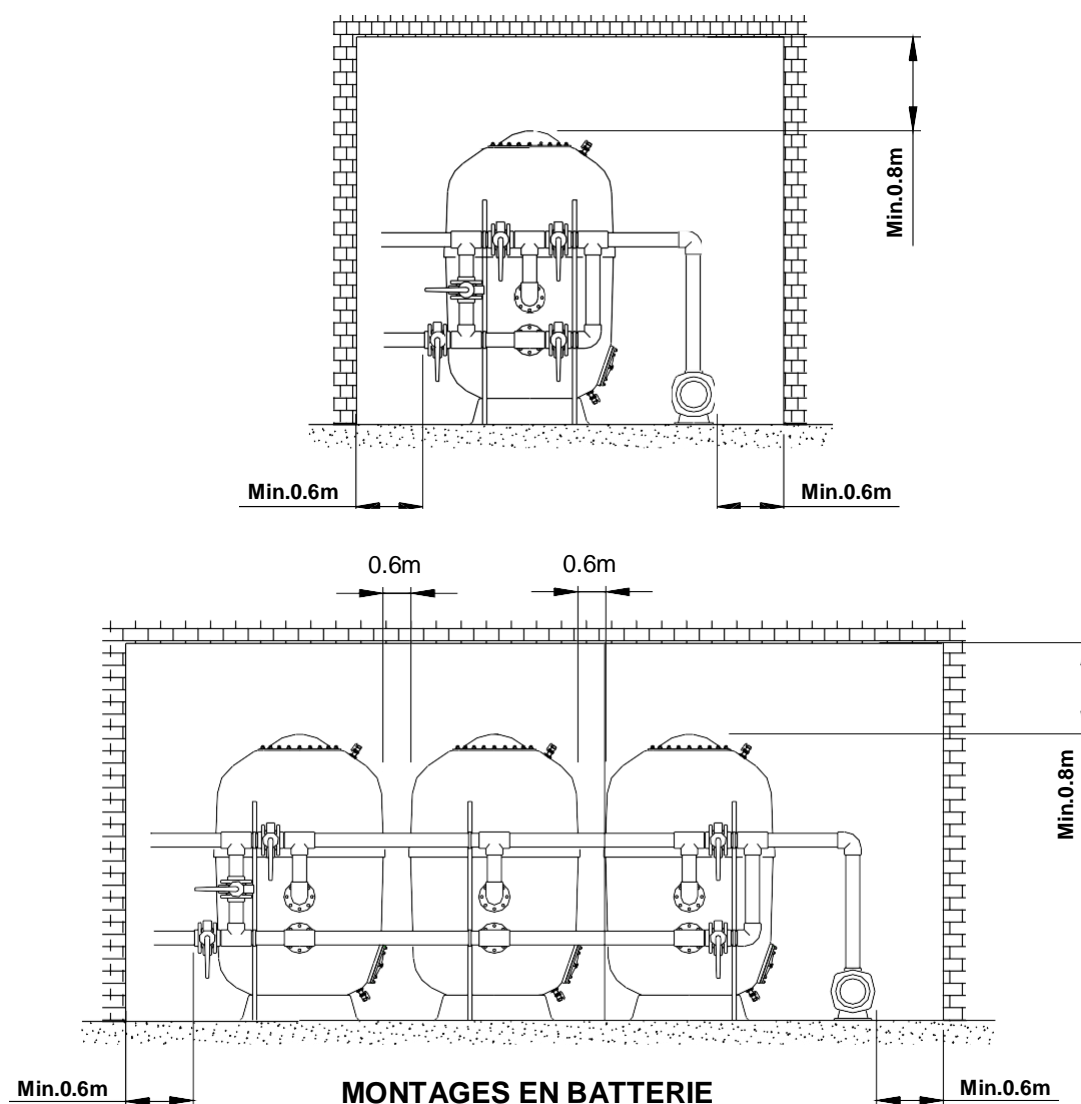
Si, pour quelque cause que ce soit, vous ne pouvez pas disposer de ces évacuations d'eau, vous devrez installer un système alternatif automatisé pour évacuer l'eau de la salle.

L'installation des filtres se fera avec la base reposant parfaitement sur le sol, totalement horizontal.



**Installer le filtre sur une surface parfaitement horizontale**

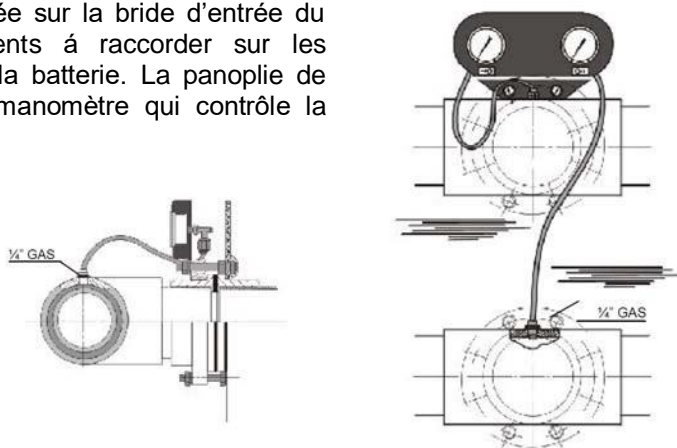
Étant donné que les filtres requièrent des révisions périodiques, et pour prévoir des interventions éventuelles à l'intérieur de ces derniers, il est **OBLIGATOIRE** de laisser un espace libre minimum autour et au-dessus des filtres.



Après avoir terminé l'installation, et avant de verser le sable dans le filtre, mettre l'installation en marche et vérifier que tous les éléments de l'installation fonctionnent correctement.

**b. Monter l'ensemble des valves de sélection et des manomètres dans le ou les filtres**

Une fois la panoplie des manomètres installée sur la bride d'entrée du filtre, repérer les tubes flexibles transparents à raccorder sur les manomètres et les orifices de 1/4 " GAS de la batterie. La panoplie de manomètre identifie facilement quel est le manomètre qui contrôle la pression d'entrée et la pression de sortie.



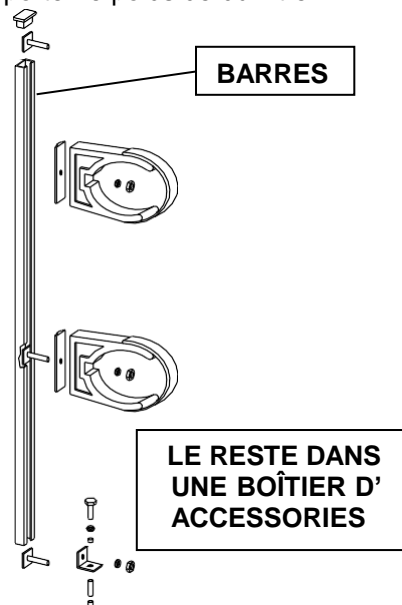
### c. Installer les supports, et les ajuster correctement (hauteur)

#### Supports des filtres

Après avoir installé les filtres, doit être installée les supports spéciaux pour supporter le poids de du filtre et de l'eau circulant à l'intérieur.

Nous recommandons d'installer les supports à hauteur réglable suivants:

<b>TUBE EN ACIER ZINGUÉ (BARRES)</b>	
Hauteur de 1,85 m	
Hauteur de 2,30 m	
Hauteur de 3,00 m	
<b>BOÎTIER D'ACCESSOIRES:</b>	
2 brides anti-vibrations, cheville d'ancrage et accessoires	
Pour tube de Ø75	Pour tube de Ø 160 - 4 valves
Pour tube de Ø90	Pour tube de Ø 200 - 4 valves
Pour tube de Ø110	Pour tube de Ø 225 - 4 valves
Pour tube de Ø125	Pour tube de Ø 160 - 5 valves
Pour tube de Ø140	Pour tube de Ø 200 - 5 valves
	Pour tube de Ø 225 - 5 valves



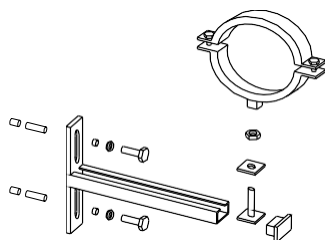
- Pour le choix de la barre, tenir compte de la hauteur des branchements du filtre choisi.
- Pour le boîtier d'accessoires, tenir compte du diamètre de la batterie et du nombre de valves.
- Pour une batterie de filtre unique besoin de deux bars et deux boîtes d'accessoires, pour les batteries de deux filtres ou plus, est recommandé au minimum une barre et un boîtier par filtre.

Pour l'installation des brides, ajuster tout d'abord leur hauteur en fonction des filtres, puis fixer le support sur le sol avec l'ancrage correspondant.

#### Supports de conduite

Lors du montage de l'installation, il est nécessaire d'installer des supports le long des conduites pour éviter les vibrations et les à-coups pouvant endommager ou rompre ces dernières. L'installation des supports est donc recommandée:

<b>Ø de la conduite</b>
75
90
110
125
140
160
200
225



Pour les installer, suivre les instructions ci-dessous :

- Démontez la bride en deux moitiés.
- Montez la moitié intérieure de la bride sur le support en fer.
- Marquer la position du support.
- Percer les trous dans le mur.
- Fixer le support au mur.
- Fixer la conduite à l'aide de la bride.

### d. Brancher l'ensemble de valves de sélection aux conduites d'impulsion de la ou des pompes, à la conduite de retour vers la piscine et à la conduite d'évacuation

### 3. MISE EN MARCHE

**ATTENTION: Ne jamais dépasser la pression maximale admissible du filtre**

Pour remplir correctement les filtres de milieu filtrant, il est recommandé de:

#### Vérification

1. Après avoir terminé l'installation, et avant de verser le milieu filtrant dans les filtres, il est conseillé de procéder à un test hydraulique à la fois des filtres comme de l'installation, afin de vérifier que le montage est correct. Vider le filtre.
2. Retirer le couvercle du filtre en veillant à ne pas endommager le joint et la surface de fermeture du couvercle.
3. Vérifier que tous les composants du filtre (bras collecteurs, etc.) sont en bon état, car ils peuvent avoir été endommagés pendant le transport.

#### Mise en marche

4. Remplir d'eau jusqu'à la moitié du filtre environ. Charger avec soin le milieu filtrant en commençant par les couches inférieures (compte tenu de la granulométrie de celui-ci par rapport à la rainure de passage du système collecteur) jusqu'à recouvrir le système collecteur (environ 10 cm). Cette opération doit être effectuée avec toute la précaution pour ne pas endommager les composants internes du filtre. Au fur et à mesure que le filtre se remplit, bien répartir le milieu filtrant sur toute la surface du filtre.
5. Pour aider la distribution homogène du sable est nécessaire pour effectuer un lavage du filtre à court à la moitié de l'opération de charge.
6. Verser du milieu filtrant jusqu'à la limite maximale de hauteur de filtrage (se référer au modèle).
7. Nettoyer soigneusement la surface du col du filtre, le joint et le couvercle avant de procéder au montage. Refermer le filtre en plaçant le joint en position correcte et en posant le couvercle avec soin afin de ne pas le déplacer.

Avant la mise en marche, et après avoir rempli et refermé correctement le filtre, ce dernier doit être lavé. Procéder conformément aux instructions figurant dans le paragraphe de lavage correspondant

**REMARQUE : Le fabricant décline toute responsabilité quant aux dommages occasionnés sur le filtre au cours des opérations de manipulation, installation et mise en marche de celui-ci**

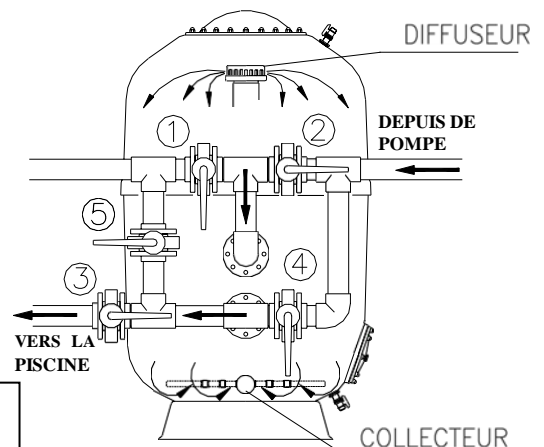
### 4. CYCLE NORMAL DE FONCTIONNEMENT

#### 4.1 Filtration

AVEC LA POMPE À L'ARRÊT, placer les valves dans la position indiquée dans le tableau de position de filtrage.

À l'usage, au fur et à mesure que le lit devient sale, le manomètre d'entrée connaîtra une augmentation de pression alors que celui de sortie connaîtra une baisse. Donc, nous recommandons régulièrement d'observer les manomètres d'entrée et de sortie, afin d'effectuer un lavage dès qu'il y a une différence de pression égale ou supérieure indiquée sur l'étiquette

Lorsque nous sommes dans un usage industriel avec des filtres équipés de **plancher de crépines**, il est fortement recommandé de réaliser un lavage (point 4.2) dès que la différence de pression est de 0,6 bar **Cette différence ne doit jamais dépasser 0,8 bar.**



**ATTENTION: NE JAMAIS DÉPASSER LA PRESSION MAXIMALE ADMISSIBLE DU FILTRE**

## 4.2 Lavage

Pour procéder au lavage, et **TOUJOURS AVEC LA POMPE À L'ARRÊT**, placer les valves dans la position indiquée dans le tableau de position de lavage.

La quantité de milieu filtrant (lit filtrant) forme des milliers de canaux laissant passer l'eau et retenant logiquement les impuretés et les résidus solides contenus dans l'eau à filtrer. Avec le temps, ces résidus bloquent les canaux par lesquels passe l'eau, si bien qu'il est nécessaire de laver périodiquement le filtre pour qu'il soit dans des conditions optimales de travail, et d'envoyer ces résidus vers l'évacuation.

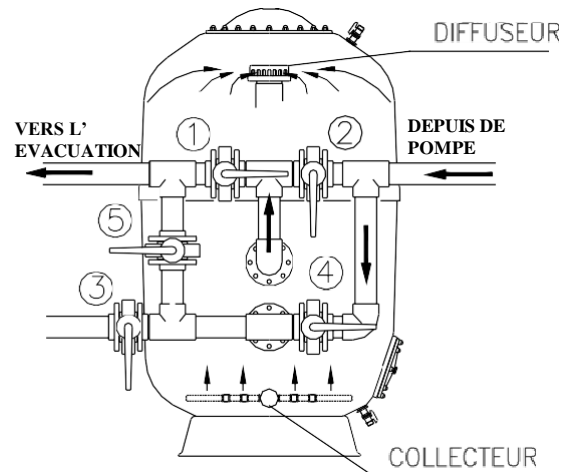
Il est recommandé une durée de lavage de 7 minutes et entre 40 et 50 m<sup>3</sup>/h/m<sup>2</sup> environ.

La vitesse ne doit pas dépasser 50m<sup>3</sup>/h/m<sup>2</sup> afin d'éviter que le milieu filtrant parte à l'égout et que cela ne détériore le filtre.

Nous recommandons d'installer un viseur dans la conduite d'évacuation afin de pouvoir observer l'état de saleté de l'eau provenant du filtre pendant le lavage et de pouvoir déterminer ainsi la durée du lavage.

Nous recommandons de ne pas dépasser la vitesse de 50 m<sup>3</sup>/h/m<sup>2</sup> afin d'éviter que le milieu filtrant ne soit expulsé dans l'évacuation. Consulter les caractéristiques du milieu filtrant

Lorsqu'on utilise de l'air, il est recommandé une vitesse de 60 m<sup>3</sup>/h/m<sup>2</sup>. **NE JAMAIS UTILISER DE COMPRESSEUR** car il peut endommager le filtre. Utiliser un appareil soufflant en veillant à ce que la pression interne de lavage ne dépasse pas 1 bar. Assurez-vous que la purge d'air est bien ouverte pendant le lavage à l'air.



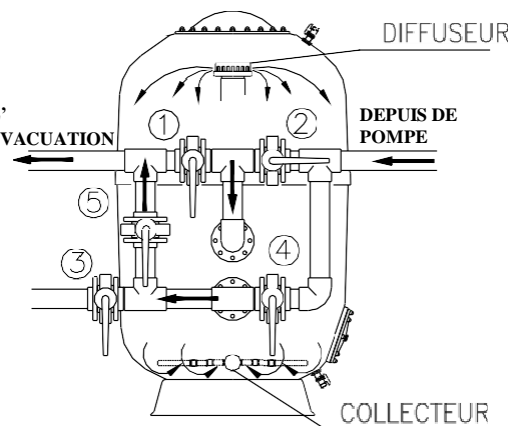
## 4.3 Rinçage

Cette opération est recommandée après le LAVAGE: elle a pour but d'expulser vers l'évacuation les restes de résidus pouvant avoir pénétré dans les collecteurs pendant le lavage du filtre.

Cette opération doit être réalisée pendant 3 minutes et évitera la contamination par des eaux troubles.

Pour effectuer cette opération, placer les valves selon les instructions du tableau correspondant au rinçage, **TOUJOURS AVEC LA POMPE À L'ARRÊT**, puis passer immédiatement à la position de filtrage.

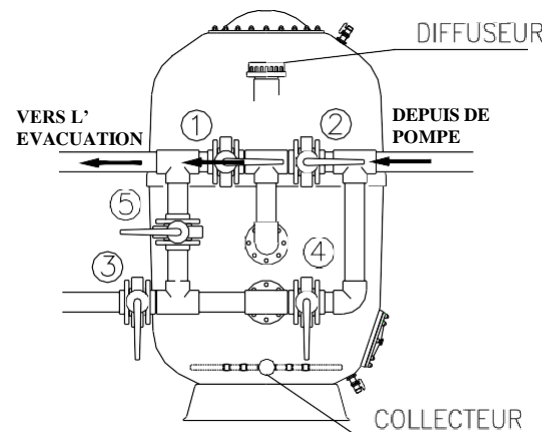
L'opération de rinçage ne peut être réalisée que si l'installation est équipée de 5 valves ou d'une valve de sélection.



## 4.4 Vindange

Lorsqu'il sera nécessaire de procéder à la vidange de la piscine, et si cette dernière ne dispose pas d'évacuation dans le fond allant directement vers les égouts, la vidange peut se faire en faisant fonctionner la pompe du filtre et en situant les valves dans la position indiquée dans le tableau correspondant à la vidange.

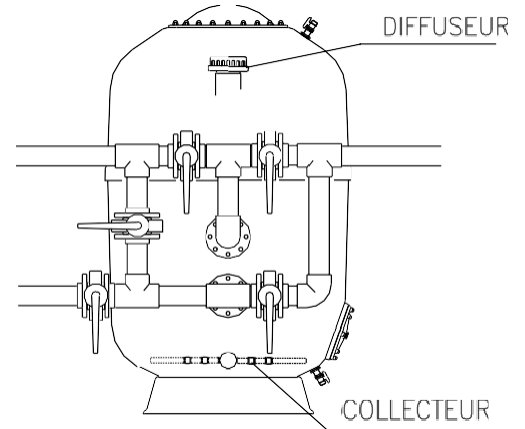
Avant de commencer la vidange, les valves des skimmers, le canal de déversoir et les dispositifs de nettoyage du fond de la piscine doivent être fermés.



## 4.5 Fermeture

Dans ce cas, toutes les valves de l'installation doivent être logiquement fermées.

Cette opération permet de procéder à l'entretien du filtre, au nettoyage du pré-filtre, etc.

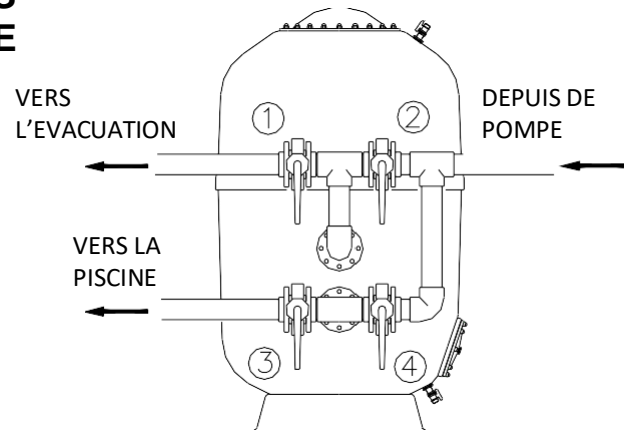


## 5. ENSEMBLE DES VALVES: POSITIONS RESPECTIVES POUR CHAQUE TYPE D'OPERATION

### 5.1 Ensemble à 4 valves

Tableau de manœuvre pour les ensembles à 4 valves :

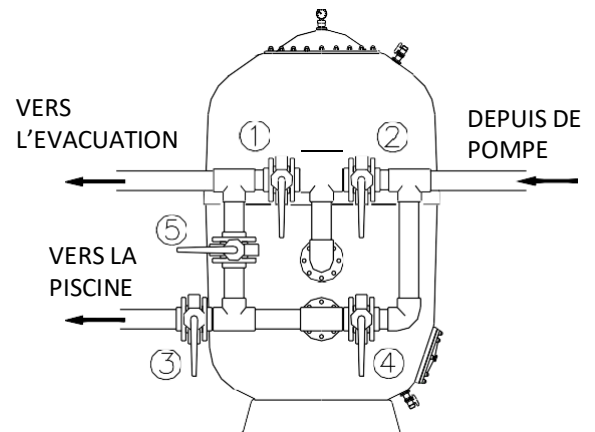
Position	1	2	3	4
Filtrage	Ouverte	Ouverte	Ouverte	Fermée
Lavage	Ouverte	Fermée	Fermée	Ouverte
Vidange	Ouverte	Ouverte	Fermée	Fermée
Fermeture	Fermée	Fermée	Fermée	Fermée



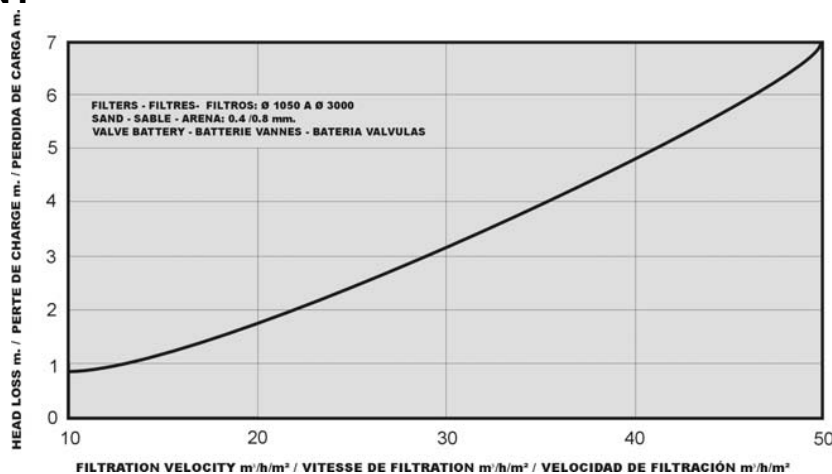
### 5.2 Ensemble à 5 valves

Tableau de manœuvre pour les ensembles à 5 valves :

Position	1	2	3	4	5
Filtrage	Fermée	Ouverte	Ouverte	Fermée	Fermée
Lavage	Ouverte	Fermée	Fermée	Ouverte	Fermée
Rinçage	Fermée	Ouverte	Fermée	Fermée	Ouverte
Vidange	Ouverte	Ouverte	Fermée	Fermée	Fermée
Fermeture	Fermée	Fermée	Fermée	Fermée	Fermée



## 6. TABLEAU DE PERTES DE CHARGE DES FILTRES AVEC MILIEU FILTRANT



## 7. ENTRETIEN DES FILTRES POUR PISCINES

- Il est important que tous les composants du filtre se trouvent dans de bonnes conditions.
- Vérifiez-les le plus fréquemment possible, et si besoin est, substituez les pièces et les joints détériorés.
- Pour nettoyer le filtre, ne pas utiliser de dissolvants car ces produits peuvent endommager les composants en matériau plastique installés dans les filtres; le filtre peut être facilement nettoyé à l'eau savonneuse.
- Le milieu filtrant doit être changé périodiquement. Consultez votre fournisseur.
- Les médias filtrant et les connexions d'entrée / sortie, il devrait être suffisant et il doit être maintenu dans de bonnes conditions pour éviter la dégradation du polyester.

### **7.1 Vidange du milieu filtrant du filtre**

Pour vider le filtre de milieu filtrant, procéder comme suit:

- 1 Vider l'eau du filtre
- 2 Retirer le couvercle
- 3 Au fur et à mesure que le milieu filtrant sort, l'éloigner de l'orifice de purge afin de ne pas boucher ce dernier
- 4 Une personne doit entrer dans le filtre par la bouche supérieure pour amener le milieu filtrant vers la sortie

Pour remplir à nouveau le filtre de milieu filtrant, suivre les instructions de MISE EN MARCHÉ.

### **7.2 Conservation du filtre pendant l'hiver**

Pour ne pas endommager les composants du filtre pendant l'hiver, procéder comme suit :

- Le laver et le rincer conformément aux instructions.
- Arrêter la pompe.
- Vider l'eau du filtre.
- Fermer les valves des conduites d'aspiration et d'impulsion pour isoler le filtre.
- Ouvrir le couvercle du filtre pour l'aérer pendant la période de non-fonctionnement.
- Nous conseillons de vider également toutes les conduites pour éviter leur rupture en cas de gel.

## 8. AVERTISSEMENTS DE SECURITE

- Avant de manipuler le filtre ou les valves, assurez-vous que la pompe est bien à l'arrêt et que le filtre n'est soumis à aucune pression. Pour plus de sécurité, débrancher la pompe et les éventuelles installations électriques.
- Ne jamais brancher directement le filtre à l'eau courante, car la pression de l'eau peut être très forte et dépasser la pression maximale du filtre.
- Purger l'air de l'intérieur du filtre avant de lancer le cycle.
- Les unions étant maintenues par des joints, ne serrez pas excessivement les écrous.
- Ne pas nettoyer les pièces en plastique avec des produits dissolvants car ces derniers pourraient leur faire perdre leurs propriétés.
- Empêchez les enfants de manipuler les filtres ou de jouer à proximité.
- Protéger les filtres contre le gel.
- Avant de mettre la pompe en marche, vérifier que le couvercle du filtre est bien refermé.
- Installer le filtre dans un endroit bien ventilé et équipé des évacuations d'eau nécessaires, et si possible sous le niveau d'eau de la piscine afin d'éviter une dépression en son intérieur.



## 9. PROBLEMES POSSIBLES

PROBLÈME	CAUSE	SOLUTION
Débit de filtrage faible	Pré-filtre de la pompe sale	Nettoyer le pré-filtre
	Le moteur de la pompe tourne à l'envers	Inverser le sens de rotation du moteur de la pompe
	Filtre sale	Procéder à un «lavage»
	Conduites bouchées	Procéder à son nettoyage
	De l'air entre dans la pompe	Vérifier toute l'installation et solutionner les fuites éventuelles
Le manomètre oscille violemment	De l'air entre dans la pompe	Solutionner les fuites d'eau au niveau du pré-filtre et des conduites d'aspiration
	L'aspiration est semi-fermée	Vérifier si les valves d'aspiration sont bien ouvertes
De l'air entre dans la pompe	Présence d'algues dans la piscine	Procéder à un traitement chimique
	Filtre sale	Procéder à un «lavage»
	Le pH de l'eau est élevé (eau trouble)	Faire diminuer le pH
	Manque de chlore (eau verdâtre)	Ajouter du chlore
Augmentation rapide de pression, bulles au niveau des bouches d'arrivée	Niveau insuffisant de l'eau de la piscine	Remplir la piscine
	Valves d'aspiration partiellement fermées	Vérifier et ouvrir les valves
	Pré-filtre de la pompe sale	Nettoyer le pré-filtre
Le manomètre oscille violemment	La pompe prend de l'air	Vérifier toute l'installation et éliminer les fuites éventuelles
	Aspiration semi-fermée	Vérifier que les vannes d'aspiration sont complètement ouvertes
Il y a du sable provenant du filtre dans la piscine	Il y a une rupture sur le système collecteur	Réparer le système
Le sable s'échappe dans le conduit d'écoulement pendant l'opération de lavage	Excès de débit d'eau de lavage ou excès de sable	Réduire le débit d'eau de lavage ou retirer du sable jusqu'à obtenir le bon niveau
Fuites aux connexions ou couvercles	Vis desserrés, joints sales ou mal positionnés	Il faut serrer les vis, faisant attention de ne pas casser les pièces en plastique, nettoyer les joints ou les positionner correctement. Au cas où le problème persiste, il faudra contacter au service technique.

- **En cas de doute, consulter le service technique**
- **En cas de manquement au manuel, le fabricant décline toute responsabilité quant aux éventuels dommages occasionnés**

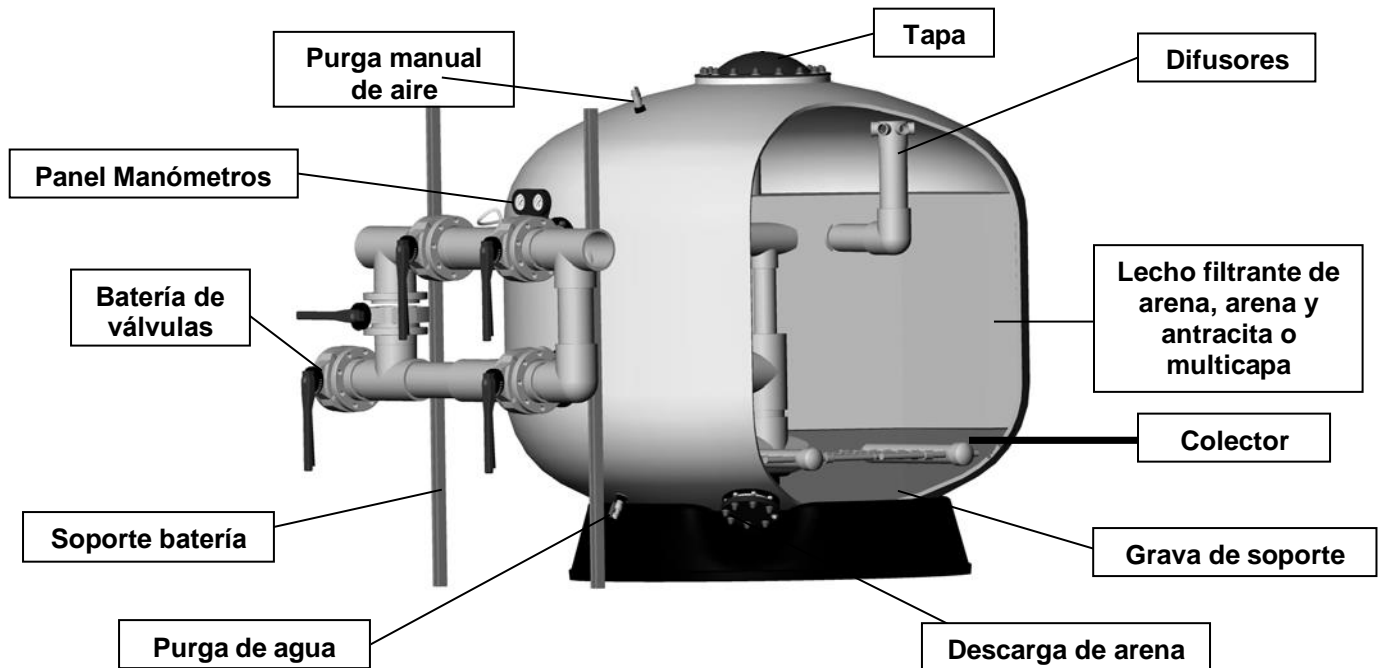
<b>COMPRUEBE EL EMBALAJE</b> -----	<b>1</b>
<b>1. GENERALIDADES</b> -----	<b>1</b>
1.1 Filtros para piscinas.....	1
1.2 Los filtros.....	2
1.3 Elección de los filtros y del tipo de instalación-----	2
⌘ 1 Características de los filtros.....	2
⌘ 2 Características de la instalación.....	2
<b>2. INSTALACIÓN</b> -----	<b>3</b>
2.1 Manipulación de los filtros.....	3
2.2 Instalación de los filtros.....	4
a. Instalar el(los) filtro(s) en su emplazamiento definitivo-----	4
b. Montar la(s) batería(s) o válvula selectora y el manómetro en el (los) filtro(s)-----	5
c. Instalar los soportes de las baterías y tuberías adecuados y regularlos (altura)-----	6
d. Conectar la batería o válvula selectora con las tuberías de impulsión de la(s) bomba(s), la tubería de retorno a la piscina y la tubería de desagüe-----	6
<b>3. LA PUESTA EN MARCHA</b> -----	<b>7</b>
<b>4. CICLO NORMAL DE FUNCIONAMIENTO</b> -----	<b>7</b>
4.1 Filtración.....	7
4.2 Lavado.....	8
4.3 Enjuague.....	8
4.4 Vaciado.....	8
4.5 Cerrado.....	9
<b>5. BATERÍA DE VÁLVULAS. POSICIÓN DE LAS MISMAS EN CADA OPERACIÓN</b> -----	<b>9</b>
5.1 Baterías de 4 válvulas.....	9
5.2 Baterías de 5 válvulas.....	9
<b>6. TABLA DE PÉRDIDAS DE CARGA DE LOS FILTROS CON ARENA</b> -----	<b>9</b>
<b>7. MANTENIMIENTO DE LOS FILTROS PARA PISCINAS</b> -----	<b>10</b>
7.1 Vaciado de la arena del filtro.....	10
7.2 Invernaje del filtro.....	10
<b>8. ADVERTENCIAS DE SEGURIDAD</b> -----	<b>10</b>
<b>9. SOLUCIÓN DE PROBLEMAS O POSIBLES AVERÍAS</b> -----	<b>11</b>

# COMPRUEBE EL EMBALAJE

Comprobar que el filtro y todos sus componentes se encuentra en buen estado después del transporte. Junto al filtro se encuentra una caja que contiene los manómetros y otros accesorios auxiliares que incluyen este manual.

## 1. GENERALIDADES

### 1.1 Filtros para piscinas



Los filtros son sin duda los accesorios más importantes para la clarificación del agua. Y su uso tiene por objeto eliminar las materias en suspensión que contaminan el agua.

La eficacia de una correcta filtración condiciona los resultados del tratamiento del agua.

El principio físico de la filtración consiste en retener las partículas en suspensión que lleva el agua durante su paso a través del lecho filtrante.

El proceso de filtración y depuración del agua incluye toda una variedad de elementos a tener en cuenta además del filtro, tales como bombas, tratamientos químicos del agua, accesorios del vaso de la piscina para asegurar el retorno y la aspiración del agua, así como el resto de elementos capaces de asegurar una correcta circulación y mantenimiento de la calidad del agua.

Normalmente cada país tiene su legislación, y a ellas deben ceñirse los instaladores antes de realizar cualquier diseño o instalación. Para ello deberán diseñar y definir los elementos y materiales del proyecto respetando las normas establecidas.

La calidad de filtración depende de varios parámetros: concepción del filtro y su forma, altura del lecho filtrante, características y granulometría de la masa filtrante, etc. Cabe señalar que la velocidad de filtración es una característica determinante para la obtención de una buena calidad de filtrado.

Otros conceptos importantes a tener en cuenta en la elección de un filtro son las características de los materiales empleados en su fabricación, su temperatura de empleo y su presión de trabajo.

## 1.2 Los filtros

Para la fabricación del depósito de los filtros se utilizan materiales como son las resinas de poliéster y la fibra de vidrio. En su interior incorporan colector y difusor de material plástico.

Se suministran para una presión máxima admisible y temperatura indicadas en la etiqueta del filtro. Esta **presión y temperatura nunca deben superarse y significan el nivel máximo**. El nivel habitual de trabajo debería estar siempre como **máximo un 20% por debajo** de la presión máxima admisible.

# USO EXCLUSIVO PARA PISCINA

## 1.3 Elección de los filtros y del tipo de instalación

### 1.3.1 Características de los filtros

Para un correcto filtrado del agua de la piscina, se recomienda que los tiempos máximos de recirculación de todo el volumen del agua de la piscina de filtración sea de:

Piscinas públicas	4 horas
Piscinas residenciales	8 horas
Piscinas para niños	1,5 horas

Por otra parte, otro parámetro importante del cual depende directamente la calidad de la filtración es la velocidad de paso del agua a través de los filtros. Recomendamos las siguientes velocidades:

Piscinas públicas	20 m <sup>3</sup> /h/m <sup>2</sup>
Piscinas residenciales	40 m <sup>3</sup> /h/m <sup>2</sup>

Para otras aplicaciones, la velocidad de filtración dependerá de la velocidad de agua efluente, de la aplicación y del propio diseño de la instalación. En cualquier caso, debe consultarse la normativa del territorio.

Para un buen filtrado recomendamos no exceder de los 40 m<sup>3</sup>/h/m<sup>2</sup>, teniendo en cuenta que la calidad de filtración depende directamente de la granulometría del lecho filtrante y de la altura del lecho filtrante.

Los filtros están diseñados para trabajar a presión. En caso de que pueda haber situaciones de **depresión**, es imprescindible la instalación de una **válvula de ventosa de doble efecto**.

Es necesario asegurar que la instalación se adecue a los filtros para evitar sobrepresiones y depresiones.

### 1.3.2 Características de la instalación

Para la elección de la bomba ha de tener en cuenta el caudal necesario a 10 m.c.a.

Es necesario que la instalación disponga de un prefiltro de las características necesarias.

En relación al número de bombas a instalar es aconsejable poner la misma cantidad de bombas que de filtros, cada una de ellas con el caudal necesario para conseguir la velocidad de filtración deseada en un filtro.

Sin embargo, es aconsejable que la impulsión de cada una de las bombas desemboque en una tubería general de impulsión que se dirija a los filtros. De esta forma, cuando los filtros filtren el agua de la piscina la totalidad de las bombas estarán funcionando, mientras que cuando se quiera hacer un lavado de los filtros se hará por partes, es decir, con toda las bombas funcionando se cerrará un determinado número de filtros (para conseguir una velocidad de lavado de 40 a 50 m<sup>3</sup>/h/m<sup>2</sup>). Una vez lavado el primer grupo de filtros, estos se cerrarán y se lavará el segundo grupo.

Con este montaje eliminamos la necesidad de tener bombas de repuesto para el lavado de los filtros.

Al igual que en la impulsión, es recomendable que la tubería de aspiración de cada bomba proceda de una tubería general de aspiración de agua de la piscina.

Para obtener una buena calidad del agua de la piscina, es necesario diseñar una instalación de forma que el agua que se tiene que filtrar proceda tanto de la superficie como del fondo de la piscina.

En el cálculo de las tuberías de aspiración y retorno del agua de la piscina se tendrán en cuenta las siguientes velocidades:

- Línea de retorno de agua filtrada a la piscina: Velocidad máxima en la línea: 2 m/seg
- Línea de aspiración de agua a filtrar: Velocidad máxima en la línea: 1,5 m/seg

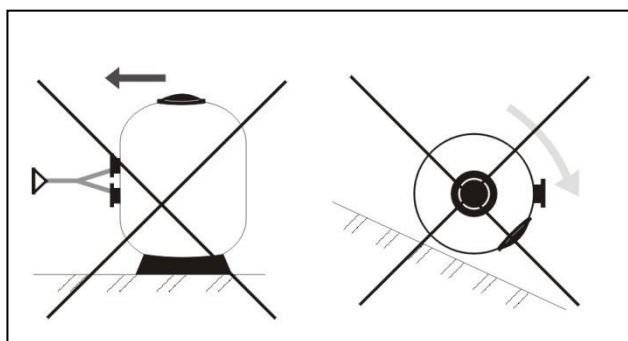
Es importante diseñar la instalación para mantener un mínimo de estabilidad (evitar un exceso de arranque y parada de bombas) con el objetivo de evitar continuas e innecesarias variaciones de presión en el filtro, ya que puede causar fatiga y reduce su vida útil.

Además, para reducir este efecto, es recomendable que en las arrancadas y paradas de bombas se use un variador de frecuencia en la bomba para que el incremento o reducción de presión generado sea de la forma más lineal posible.

## 2. INSTALACIÓN

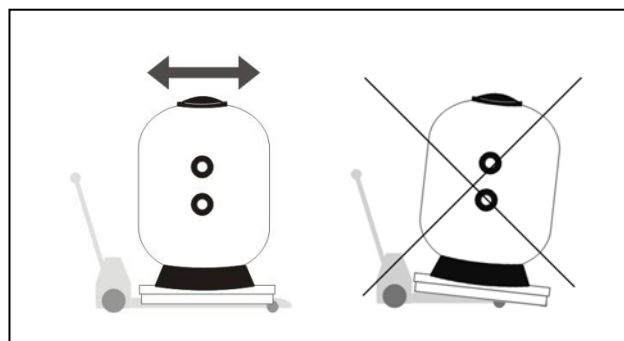
### 2.1 Manipulación de los filtros

NOTA: Los filtros se entregan convenientemente embalados y debido a su peso, tamaño y a las dificultades existentes para su ubicación en la obra, se recomienda que la manipulación y traslado de los mismos se realice con medios mecánicos (carretillas elevadoras, grúas etc.).

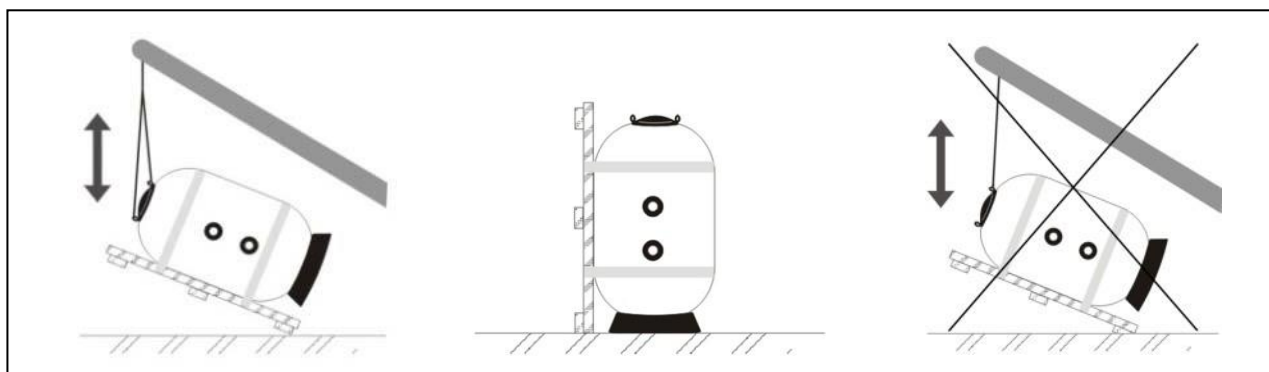


Nunca arrastrar el filtro

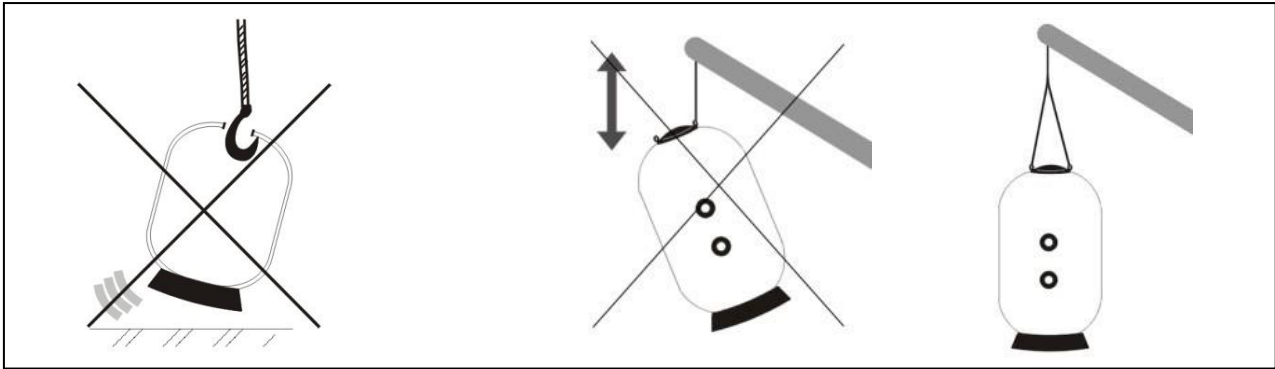
No hacer rodar el filtro nunca



Utilizar el transpalet o toro con las palas adecuadas para transportar el filtro



Utilizar ambos cáncamos para poner en posición vertical los filtros transportados en posición horizontal



**PROHIBIDO el uso de ganchos para transportar los filtros**

**Utilizar ambos cáncamos para transportar los filtros**

La carga del medio filtrante debe realizarse una vez instalado el filtro en su emplazamiento definitivo siguiendo las indicaciones del APARTADO DE PUESTA EN MARCHA.

## **2.2 Instalación de los filtros**

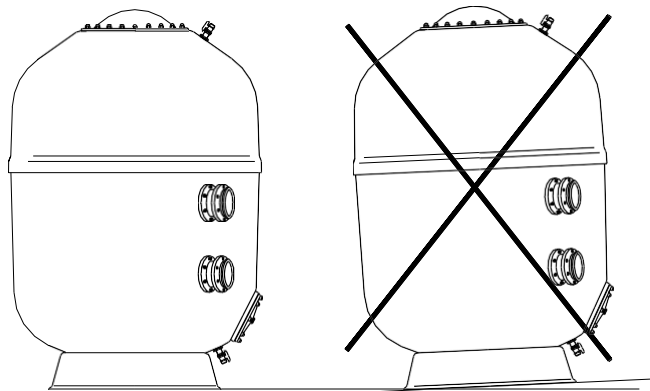
Las fases a seguir para una correcta instalación de los filtros son las siguientes:

### **a. Instalar el(los) filtro(s) en su emplazamiento definitivo**

Es conveniente que la caseta donde están instalados los filtros esté provista de ventilación y de los desagües adecuados para que, en caso de accidente, el agua que pudiera salir de cualquier tubería, filtro, bomba, etc. Pueda ser evacuada, evitando así el riesgo de daños a las instalaciones existentes (bombas, cuadros eléctricos, etc.).

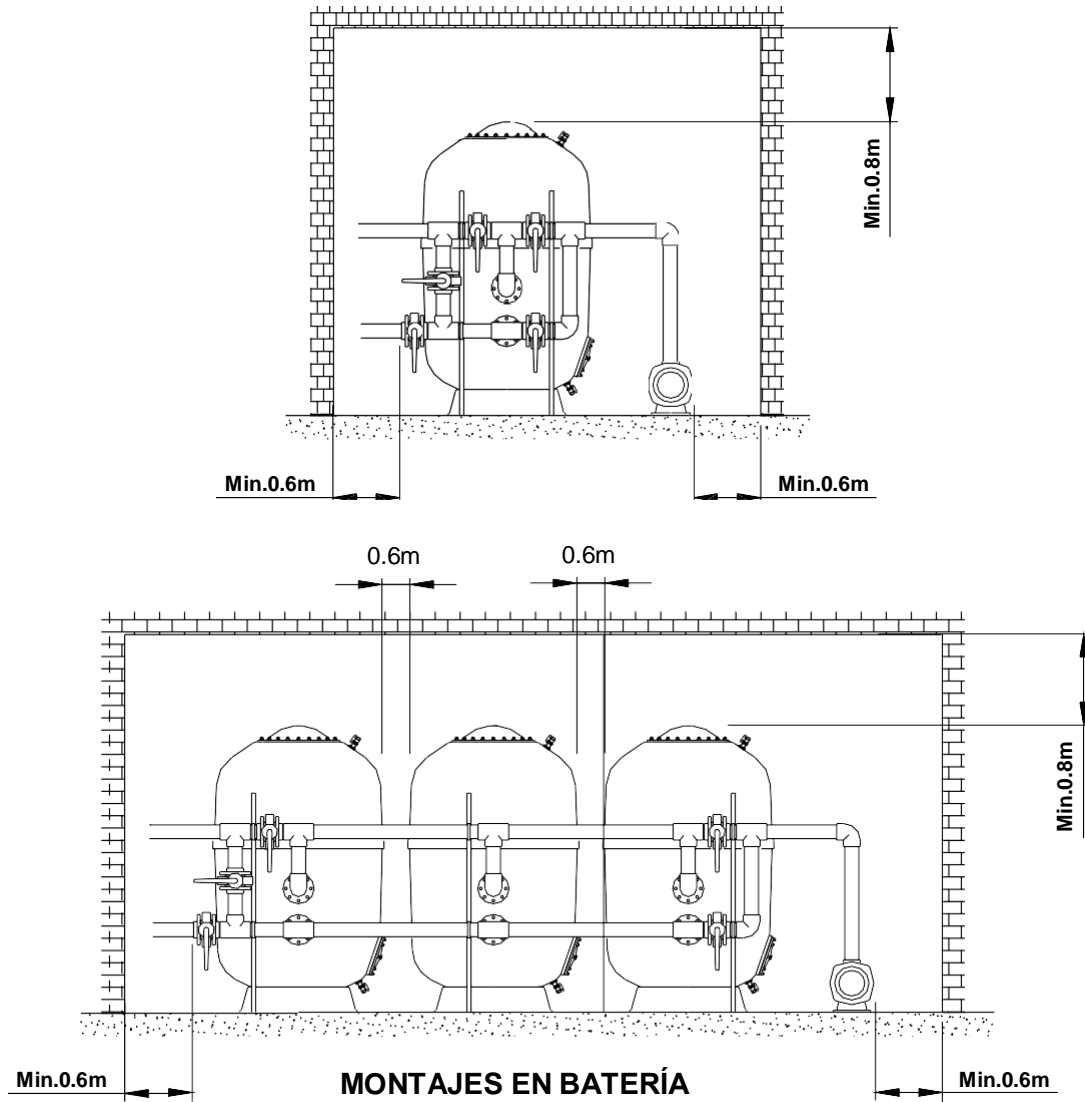
Si por cualquier circunstancia no se pudiera disponer de estos desagües, se debería instalar un sistema alternativo automatizado para evacuar el agua de la sala.

La instalación de los filtros se hará de forma que la base quede perfectamente apoyada en el suelo y sobre un plano totalmente horizontal.



**Apoyar el filtro sobre un plano totalmente horizontal**

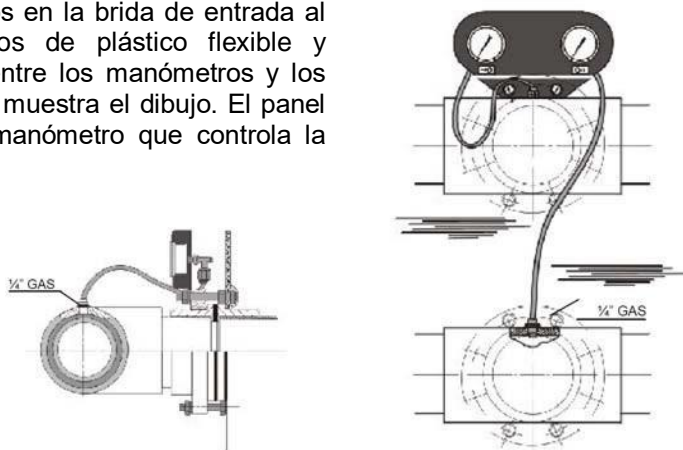
Dado que los filtros requieren revisiones periódicas y en previsión de eventuales intervenciones en su interior es **IMPRESINDIBLE** dejar un mínimo de espacio libre alrededor y sobre los filtros.



Una vez terminada la instalación y antes de poner la arena en el filtro es conveniente poner en marcha la instalación y comprobar que no existan fugas y que todos los elementos funcionan correctamente.

**b. Montar la(s) batería(s) o válvula selector y el manómetro en el (los) filtro(s)**

Una vez instalado el panel de los manómetros en la brida de entrada al filtro, observar la presencia de unos tubos de plástico flexible y transparentes los cuales deben conectarse entre los manómetros y los orificios de 1/4" GAS de la batería tal y como muestra el dibujo. El panel de manómetros identifica perfectamente el manómetro que controla la presión de entrada y la presión de salida.



### c. Instalar los soportes de las baterías y tuberías adecuados y regularlos (altura)

#### Soportes de las baterías

Una vez que se ha instalado la batería se deben instalar soportes especiales para aguantar el peso de la batería y del agua que por ella circula.

Se recomienda la instalación de los siguientes soportes regulables en altura:

<b>TUBO DE ACERO CINCADO (BARRAS)</b>	
Altura de 1,85 m	
Altura de 2,30 m	
Altura de 3,00 m	
<b>CAJA ACCESORIOS</b>	
2 abrazaderas antivibración, taco de anclaje y accesorios	
Para tubo Ø75	Para tubo Ø160 - 4 válvulas
Para tubo Ø90	Para tubo Ø200 - 4 válvulas
Para tubo Ø110	Para tubo Ø225 - 4 válvulas
Para tubo Ø125	Para tubo Ø160 - 5 válvulas
Para tubo Ø140	Para tubo Ø200 - 5 válvulas
	Para tubo Ø225 - 5 válvulas



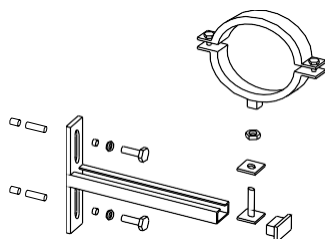
- En la elección de la barra tener en cuenta la altura de las conexiones del filtro elegido
- Para la caja de accesorios mirar el diámetro de las baterías y el número de válvulas
- Para una batería de un solo filtro es necesario dos barras y dos cajas de accesorios, para baterías de dos o más filtros es aconsejable como mínimo una barra y una caja por filtro

Para su instalación primero es necesario regular la altura de las abrazaderas en función de la batería y posteriormente fijar el soporte en el suelo con el anclaje correspondiente

#### Soportes de tubería

Cuando se realiza el montaje de la instalación es necesario poner soportes en los tramos de tubería para evitar vibraciones y pandeos que las pudieran dañar o romper. Por este motivo se recomienda la instalación de soportes:

<b>Ø Tubería</b>
75
90
110
125
140
160
200
225



Para su instalación seguir los siguientes pasos:

- Desmontar la abrazadera en dos mitades
- Montar la mitad interior de la abrazadera en el soporte de hierro
- Marcar la posición del soporte
- Practicar los agujeros en la pared
- Fijar el soporte en la pared
- Fijar la tubería con la brida

### d. Conectar la batería o válvula selectora con las tuberías de impulsión de la(s) bomba(s), la tubería de retorno a la piscina y la tubería de desagüe



### 3. LA PUESTA EN MARCHA

**ATENCIÓN, no limpiar los componentes plásticos con productos que puedan atacarlos.**

Para un correcto llenado de arena de los filtros es imprescindible:

#### Verificación

1. Una vez terminada la instalación y antes de poner la arena en los filtros, es aconsejable hacer una prueba hidráulica, tanto de los filtros como de la instalación, a fin de comprobar el buen montaje de la misma. Vaciar el filtro.
2. Retirar la tapa del filtro procurando evitar daños en la junta y en la superficie de cierre de la tapa.
3. Comprobar que todos los componentes del filtro (brazos colectores, etc.) están en buen estado, ya que durante el transporte pudieran haber sufrido algún desperfecto.

#### Puesta en marcha

4. Llenar de agua hasta la mitad del filtro aproximadamente. Cargar el medio filtrante con cuidado empezando por las capas inferiores, (teniendo en cuenta la granulometría de este respecto a la ranura de paso del sistema colector) hasta cubrir los brazos colectores (aproximadamente unos 10 cm.). Esta operación debe realizarse con sumo cuidado para no dañar los componentes interiores del filtro. A medida que se llene el filtro con arena tener la precaución de repartir la arena por toda la superficie del filtro.
5. Para ayudar a la distribución homogénea del lecho filtrante es necesario realizar un corto lavado del filtro a mitad del proceso de carga.
6. Introducir el medio filtrante hasta el límite máximo de la altura de filtración (consultar según modelo)
7. Limpiar escrupulosamente la superficie del cuello del filtro, la junta y la tapa antes de efectuar el montaje. Cerrar el filtro colocando la junta en posición correcta y poniendo la tapa con cuidado para no desplazarla de su posición.

Antes de la puesta en marcha, una vez cargado y convenientemente cerrado el filtro, es necesario efectuar un lavado del mismo. Para ello proceder según indica el apartado de lavado del filtro

**NOTA: El fabricante no se hace responsable de cualquier daño ocasionado al filtro en las operaciones de manipulación, instalación y puesta en marcha del mismo**

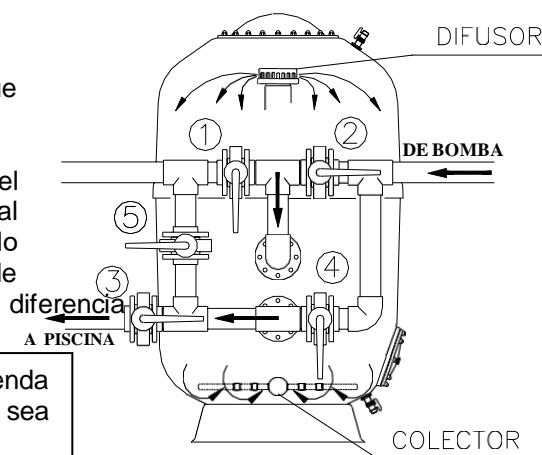
### 4. CICLO NORMAL DE FUNCIONAMIENTO

#### 4.1 Filtración

CON LA BOMBA PARADA, situar las válvulas en la posición que se indica en el cuadro, posición de filtrado.

A medida que el lecho filtrante se ensucia por el uso, el manómetro de entrada experimenta un aumento de presión al tiempo que el manómetro de salida sufre una reducción. Por lo tanto, es conveniente observar periódicamente los manómetros de entrada y salida y efectuar un lavado del filtro cuando la diferencia de presión sea igual o superior a la indicada en la etiqueta.

Cuando se trata de **filtros con placa de crepinas**, se recomienda realizar el lavado (punto 4.2) cuando la diferencia de presión sea 0.6 bar. **Ésta nunca puede exceder de 0.8 bar**



**ATENCIÓN. NO SUPERAR NUNCA LA PRESIÓN MÁXIMA ADMISIBLE DEL FILTRO**

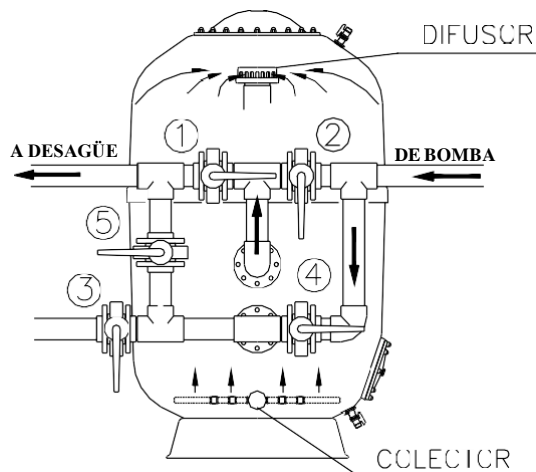
## 4.2 Lavado

Para efectuar la operación de lavado y SIEMPRE CON LA BOMBA PARADA situar las válvulas en la posición que se indica en el cuadro, posición de lavado.

La carga de arena (lecho filtrante) forma miles de canales de paso del agua que lógicamente recogen las impurezas y residuos sólidos que acompañan al agua a filtrar. Con el tiempo, estos residuos bloquean estos canales de paso del agua por lo que periódicamente es necesario limpiar el filtro para dejarlo en condiciones óptimas de trabajo, y verter al desagüe la suciedad que había en el lecho filtrante.

Se recomienda que la duración del lavado sea de 7 minutos a una velocidad entre 40 y 50 m<sup>3</sup>/h/m<sup>2</sup> aproximadamente.

Es aconsejable poner un visor en la tubería de desagüe de forma que cuando se realiza un lavado se pueda observar la suciedad del agua procedente del filtro y así poder determinar la duración del lavado.



No se debe exceder de 50 m<sup>3</sup>/h/m<sup>2</sup> para evitar que parte de la arena sea expulsada al desagüe y para que pueda provocar daños en el filtro. Consultar características del medio filtrante.

Cuando se utilice aire, es recomendable una velocidad de 60 m<sup>3</sup>/h/m<sup>2</sup>. NUNCA USAR UN COMPRESOR ya que puede dañar el filtro. Utilizar un soplante procurando que la presión interna en el lavado no exceda 1 bar. Asegúrese de tener la purgue de aire abierta durante el lavado con aire.

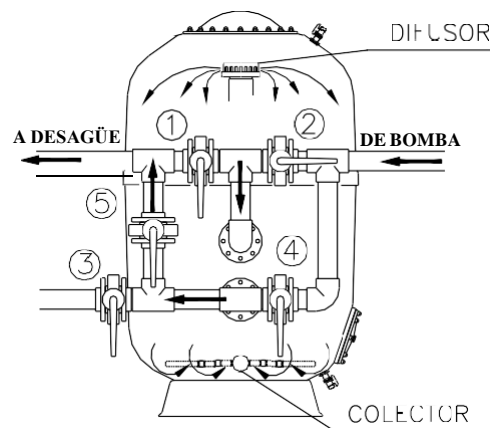
## 4.3 Enjuague

Operación recomendada a efectuar después del LAVADO que tiene por objeto expulsar al desagüe los restos de residuos que pudieran haber penetrado en los colectores durante la fase del lavado del filtro.

Esta operación debe realizarse por espacio de 3 minutos y evitará la contaminación por aguas turbias.

Para efectuar esta operación situar las válvulas en la posición que se indica en el cuadro, posición de enjuague, SIEMPRE CON LA BOMBA PARADA, e inmediatamente después pasar a la posición de filtrado.

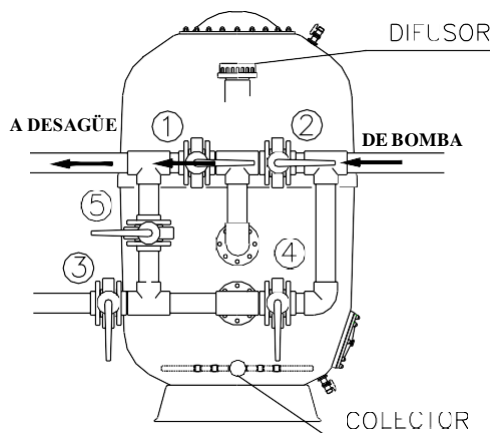
La operación de enjuague solo puede realizarse si la batería es de 5 válvulas o disponemos de válvula selectora en el filtro.



## 4.4 Vaciado

Cuando sea necesario vaciar la piscina y en caso de que esta no disponga de desagüe en el fondo conectado directamente con el alcantarillado puede efectuarse el vaciado por medio de la bomba del filtro situando las válvulas en la posición que indica el cuadro en el apartado vaciado.

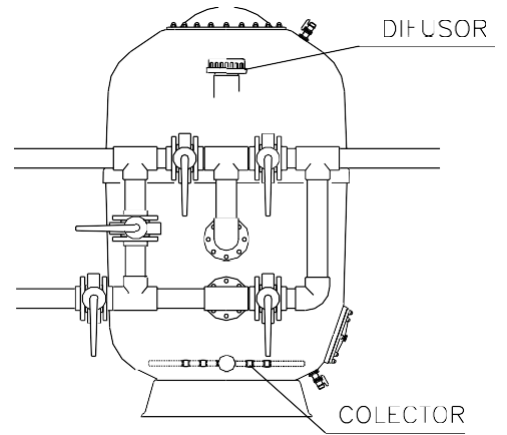
Para ello y antes de conectar el vaciado es necesario que las válvulas de los skimmers, canal de rebosadero y limpia fondos estén cerrados.



## 4.5 Cerrado

Tal como su nombre indica todas las válvulas de la batería están cerradas.

Esta operación es utilizada para efectuar el mantenimiento del filtro, limpieza del prefiltro, etc.

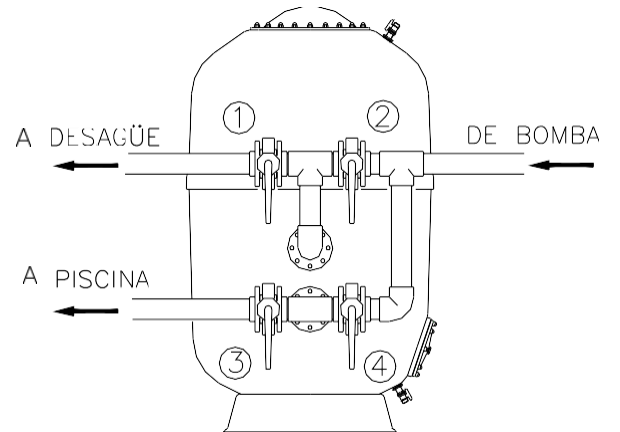


## 5. BATERÍA DE VÁLVULAS. POSICIÓN DE LAS MISMAS EN CADA OPERACIÓN

### 5.1 Baterías de 4 válvulas

Cuadro de maniobras para las baterías de 4 válvulas.

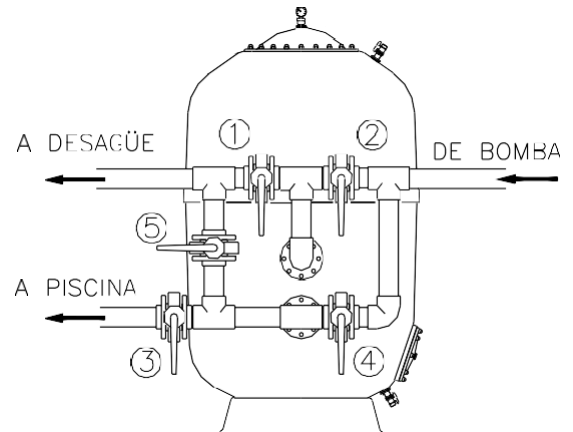
Posición	1	2	3	4
Filtrado	Cerrada	Abierta	Abierta	Cerrada
Lavado	Abierta	Cerrada	Cerrada	Abierta
Vaciado	Abierta	Abierta	Cerrada	Cerrada
Cerrado	Cerrada	Cerrada	Cerrada	Cerrada



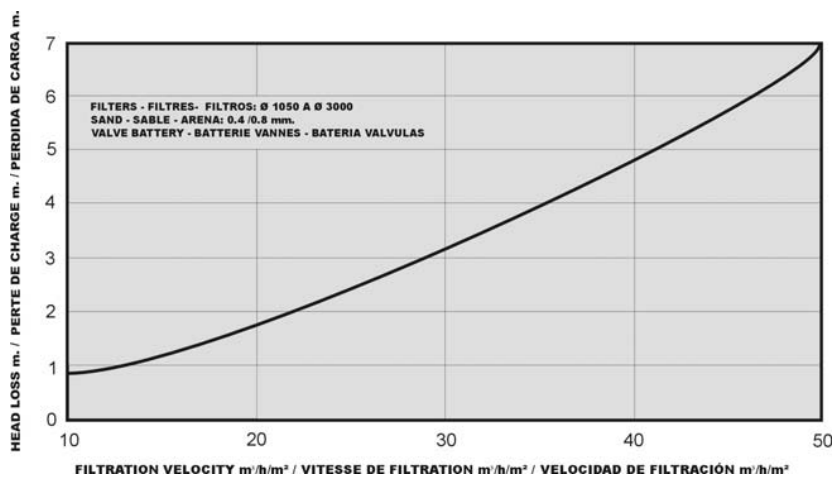
### 5.2 Baterías de 5 válvulas

Cuadro de maniobras para baterías de 5 válvulas.

Posición	1	2	3	4	5
Filtrado	Cerrada	Abierta	Abierta	Cerrada	Cerrada
Lavado	Abierta	Cerrada	Cerrada	Abierta	Cerrada
Enjuague	Cerrada	Abierta	Cerrada	Cerrada	Abierta
Vaciado	Abierta	Abierta	Cerrada	Cerrada	Cerrada
Cerrado	Cerrada	Cerrada	Cerrada	Cerrada	Cerrada



## 6. TABLA DE PÉRDIDAS DE CARGA DE LOS FILTROS CON ARENA



## **7. MANTENIMIENTO DE LOS FILTROS PARA PISCINAS**

- Es importante tener siempre los filtros en condiciones ya que de ello depende la buena calidad del agua.
- Es importante tener todos los componentes del filtro en condiciones. Para ello se deben comprobar asiduamente y sustituir cuando lo precisen las piezas y juntas deterioradas.
- No limpiar el filtro con productos que pueda atacarlo. Se puede limpiar fácilmente con agua y jabón.
- El medio filtrante debe cambiarse periódicamente. Consulte con su suministrador.
- El medio filtrante y las conexiones de entradas y salidas, deben ser las adecuadas y deben mantenerse en buenas condiciones para evitar que puedan degradar el poliéster.

### **7.1 Vaciado de la arena del filtro**

Tener en cuenta las advertencias de seguridad

Para vaciar el filtro de arena, proceder de la siguiente manera:

1. Vaciar el agua del filtro.
2. Quitar la tapa.
3. A medida que la arena va saliendo, apartarla de la purga para no taponarla con la misma.
4. Es necesario que una persona entre en el filtro por la boca superior para ir acercando la arena a la purga para facilitar su salida.

Para volver a llenar el filtro de arena seguir las instrucciones de PUESTA EN MARCHA.

### **7.2 Invernaje del filtro**

Para no dañar los componentes del filtro durante el período de invernaje es necesario realizar las siguientes operaciones.

- Realizar un lavado y enjuague según las instrucciones.
- Parar la bomba.
- Vaciar el filtro de agua.
- Cerrar las válvulas de las tuberías de aspiración e impulsión para aislar el filtro.
- Quitar la tapa del filtro para mantenerlo ventilado durante el periodo de inactividad.
- Es aconsejable vaciar también todas las tuberías para evitar la rotura de las mismas en caso de heladas.

## **8. ADVERTENCIAS DE SEGURIDAD**

- Antes de manipular el filtro o válvulas, asegurarse que la bomba está parada y el filtro está sin presión. Para más seguridad desconectar la bomba y posibles instalaciones eléctricas existentes de la corriente.
- Nunca conectar directamente el filtro a la red de agua, ya que la presión de la misma puede ser muy elevada y exceder de la presión máxima admisible del filtro.
- Purgar el aire del interior del filtro siempre antes de iniciar un ciclo.
- Debido a que las uniones se hacen con juntas, no es necesario apretar las tuercas excesivamente.
- No limpiar las piezas de plástico con disolventes, ya que podrían perder sus propiedades.
- No permita a los niños manipular los filtros ni jugar cerca de ellos.
- Proteger los filtros de las heladas.
- Antes de conectar la bomba, comprobar que la tapa del filtro está debidamente cerrada.
- Instalar el filtro en una zona provista de ventilación y de los desagües adecuados, lo más próximo posible del vaso de la piscina y por debajo del nivel de agua de la piscina para evitar que se produzca una depresión en su interior.

## 9. SOLUCIÓN DE PROBLEMAS O POSIBLES AVERÍAS

PROBLEMA	CAUSA	SOLUCIÓN
Poco caudal de filtración	Prefiltro de la bomba sucio	Limpiar prefiltro
	El motor de la bomba gira al revés	Invertir el sentido de giro del motor de la bomba
	Filtro sucio	Realizar "lavado"
	Tuberías taponadas	Proceder a su limpieza
	La bomba coge aire	Comprobar toda la instalación y eliminar posibles fugas
El manómetro oscila violentamente	La bomba coge aire	Repasar fugas de agua en prefiltro y tuberías aspiración
	Aspiración semi-cerrada	Comprobar que las Válvulas de aspiración estén abiertas
La bomba coge aire	Algas en la piscina	Realizar tratamiento químico
	Filtro sucio	Realizar "lavado"
	PH del agua elevado (agua turbia)	Disminuir el PH
	Falta de cloro (agua verdosa)	Añadir cloro
Rápido incremento de presión burbujas en las boquillas	Nivel agua de la piscina bajo	Llenar piscina
	Válvulas aspiración parcialmente cerradas	Comprobar y abrir las Válvulas
	Prefiltro de la bomba sucio	Limpiar prefiltro.
El manómetro oscila violentamente	La bomba coge aire	Comprobar toda la instalación y eliminar las posibles fugas
	Aspiración semi-cerrada	Comprobar que las válvulas de aspiración estén completamente abiertas
Hay arena procedente del filtro en la piscina	Hay rotura en el sistema colector	Reparar el sistema
La arena se escapa al desagüe en la operación de lavado	Exceso de caudal de agua de lavado o exceso de arena	Reducir el caudal de agua de lavado o sacar arena hasta tener el nivel correcto
Hay fugas en las conexiones o tapas	Tornillos flojos, juntas sucias o mal colocadas	Apretar los tornillos con cuidado de no romper las piezas de plástico, limpiar las juntas o colocarlas correctamente. En caso de no solucionar el problema póngase en contacto con el servicio técnico

- **Ante la duda, consultar al servicio técnico**
- **En caso de incumplimiento del manual, el fabricante no se responsabiliza de los posibles daños causados**

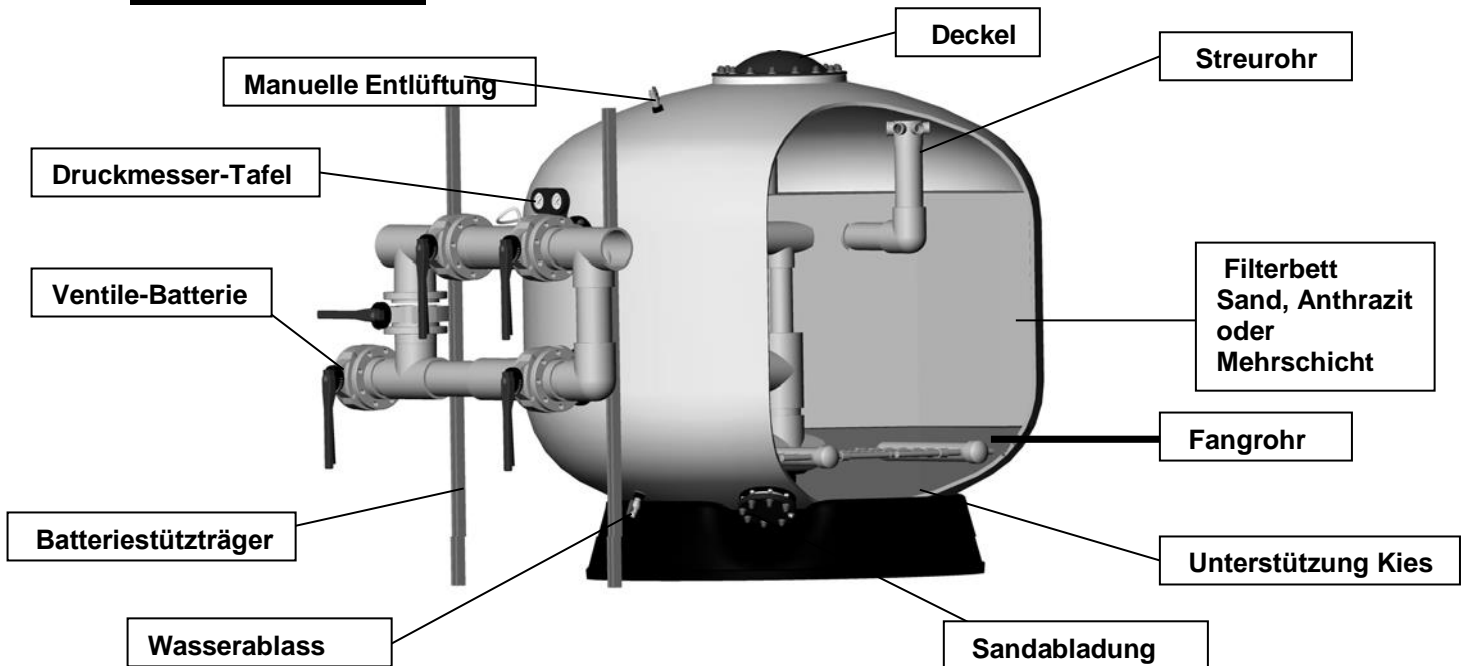
<b>ÜBERPRÜFUNG DER VERPACKUNG</b> -----	<b>2</b>
<b>1. ALLGEMEINES</b> -----	<b>2</b>
1.1 Schwimmbad-Filter-----	2
1.2 Die filter-----	3
1.3 Auswahl der Filter und der Installationsart-----	3
1 3.1 Filtereigenschaften-----	3
1 3.2 Zu beachtende Aspekte bei der Installation-----	3
<b>2. INSTALLATION</b> -----	<b>4</b>
2.1 Die Manipulation der Filter-----	4
2.2 Filtereinbau-----	5
a. Den(die) Filter am endgültigen Ort installieren-----	5
b. Die Batterie(n) bzw. das Wahlventil richtig und Manometer an die Filter montieren-----	6
c. Die geeigneten Batteriestützträger richtig installieren und einstellen (Höhe)-----	7
d. Batterie oder Wahlventil mit den Antriebsrohren der Pume(n), dem Rückflussrohr zum Becken und dem Ablaufrohr verbinden-----	7
<b>3. INBETRIEBNAHME</b> -----	<b>8</b>
<b>4. NORMALER BETRIEBSZYKLUS</b> -----	<b>8</b>
4.1 Filtern-----	8
4.2 Waschen-----	9
4.3 Spülen-----	9
4.4 Entleeren-----	9
4.5 Schließen-----	10
<b>5. VENTILE-BATTERIE. VENTILSTELLUNGEN ZU DEN EINZELNEN VORGÄNGEN</b> -----	<b>10</b>
5.1 4-Ventile-Batterien-----	10
5.2 5-Ventile-Batterien-----	10
<b>6. TABELLE FILTERBELADUNGSVERLUSTE, MIT FILTERMEDIUM</b> -----	<b>10</b>
<b>7. WARTUNG DER SCHWIMMBAD-FILTER</b> -----	<b>11</b>
7.1 Filterfiltermediumentleerung-----	11
7.2 Lagerung der Filter über Winter-----	11
<b>8. SICHERHEITSHINWEISE</b> -----	<b>11</b>
<b>9. PROBLEM- BZW. EVENTUELLE STÖRUNGSBESEITIGUNG</b> -----	<b>12</b>

# ÜBERPRÜFUNG DER VERPACKUNG

Überprüfen Sie, dass der Filter und alle seine Bestandteile nach dem Transport in korrektem Zustand angekommen sind. Neben dem Filter befindet sich ein Karton mit dem Manometer und den restlichen Bestandteilen, welche in dieser Betriebsanleitung erwähnt werden. Sie verfügen ebenfalls über die notwendige Dokumentation für die Garantie dieses Produktes.

## 1. ALLGEMEINES

### 1.1 Schwimmbad-Filter



Die Filter sind ohne Zweifel das wichtigste Zubehör für die Klärung des Wassers. Der Filtergebrauch hat das Ziel, Schwebeteilchen, die das Wasser verunreinigen zu eliminieren.

Die Effizienz einer richtigen Filterung bestimmt das Ergebnis der Wasserbehandlung..

Das physische Filtrationsprinzip besteht in der Zurückbehaltung der Schweb- und Sinkstoffe, die sich beim Wasserdurchlauf durch das sandfilterbett im Wasser befinden.

Der Filtrations- und Klärungsvorgang beinhaltet eine Reihe von weiteren zu beachtenden Elementen, wie z.B. Pumpen, chemische Wasseraufbereitung, Becken-Zubehör zur Gewährleistung des Wasserrückflusses und der Wasserabsaugung sowie sonstige Elemente zur Sicherstellung des korrekten Wasserumlaufes und der ordnungsgemäßen Wartung.

Im Allgemeinen hat jedes Land seine eigenen Richtlinien. Installateure haben diese Normen zu beachten, bevor sie mit dem Entwurf oder der Installation beginnen. Dazu haben sie die Elemente und Materialien gemäß den bestehenden Normen zu entwickeln und zu bestimmen.

Die Filtrationsqualität hängt von mehreren Parametern ab: Filterkonzept und -form, Höhe des Filterbettes, Eigenschaften und Korngröße der Filtermasse, usw. Des weiteren ist darauf hinzuweisen, dass die Filtrationsgeschwindigkeit ein ausschlaggebender Kennwert zur Erzielung einer guten Filterungsqualität ist.

Weitere zu beachtende Aspekte bei der Auswahl eines Filters sind: Eigenschaften der angewendeten Materialien, Betriebstemperatur und Betriebsdruck.

## 1.2 Die filter

Für die Herstellung der Filterdepots werden rostfreie Materialien wie Polyester-Harze und Glasfaser verwendet.

Im Inneren sind Kollektor und Diffusor aus Kunststoff und werden mit dem auf dem Filteretikett angegebenen maximal möglichen Druck und Temperatur versorgt. **Sowohl Druck als auch Temperatur dürfen nie über diesen Wert steigen und zeigen das maximale Niveau an.** Das normale Arbeitsniveau sollte immer **maximal 20% unter** dem möglichen Maximaldruck liegen.

# GEBRAUCH AUSSCHLIEßLICH FÜR POOLS

## 1.3 Auswahl der Filter und der Installationsart

### 1.3.1 Filtereigenschaften

Zur richtigen Filtrierung des Schwimmbeckenwassers empfehlen wir folgende maximale Wasserumlaufzeiträume für das Gesamtwasservolumen eines entsprechend der Filtration unterzogenen Schwimmbeckens:

Öffentliche Schwimmbäder	4 Stunden
Private Pools	8 Stunden
Öffentliche Kinderschwimmbäder	1,5 Stunden

Por otra parte, otro parámetro importante del cual depende directamente la calidad de la filtración es la velocidad de paso del agua a través de los filtros. Recomendamos las siguientes velocidades:

Öffentliche Schwimmbäder	20 m <sup>3</sup> /h/m <sup>2</sup>
Private Pools	40 m <sup>3</sup> /h/m <sup>2</sup>

Für andere Anwendungen hängt die Filtergeschwindigkeit von der Geschwindigkeit des ausströmenden Wassers, der Verwendung und dem Design der Installation ab. In jedem Fall sollte die Bodenrichtlinie konsultiert werden.

Zur guten Filterungserzeugung empfehlen wir, 40 m<sup>3</sup>/h/m<sup>2</sup> nicht zu überschreiten, wobei zu beachten ist, dass die Filtrationsqualität unmittelbar von der Korngrößenbestimmung des Filtermediumes sowie von der Höhe des Filterbettes abhängig ist.

Die Filter sind darauf konstruiert, unter Druck zu arbeiten. Bei einem möglichen **Unterdruck (depression)** ist die Installation eines **Vakuumventils** unbedingt erforderlich.

Um einen Über- bzw. Unterdruck zu verhindern, muss eine fachgerechte Installation des Filters sichergestellt werden.

### 1.3.2 Zu beachtende Aspekte bei der Installation

Zur Pumpenauswahl ist ein erforderlicher Durchfluß von 10 mWS zu beachten.

Es ist notwendig, dass die Installation über einen Vorfilter mit den notwendigen Eigenschaften verfügt.

Bezüglich der Pumpenanzahl empfiehlt es sich, dieselbe Anzahl wie bei den Filtern zu nehmen. Jede Pumpe hat dann den entsprechenden Durchfluß aufzuweisen, um für jeden Filter die erwünschte Filterungsgeschwindigkeit zu erzielen.

Es ist jedoch ratsam, dass der Antrieb jeder Pumpe einer allgemeinen Antriebsrohrleitung zugeführt wird, die an die Filter anschliesst. Auf diese Weise sind bei Wasserfiltration durch die Filter alle Pumpen in Betrieb. Wird eine Filterwäsche erwünscht, ist schrittweise vorzugehen, d.h., bei Betrieb aller Pumpen ist eine bestimmte Filteranzahl zu sperren (um eine Waschgeschwindigkeit von 40 bis 50 m<sup>3</sup>/h/m<sup>2</sup> zu erreichen). Nach erfolgter Wäsche der ersten Filtergruppe ist diese zu schließen und die zweite Gruppe zu waschen.

Bei dieser Einbauweise entfällt die Notwendigkeit von Ersatzpumpen zur Filterreinigung.



In analoger Weise zum Antrieb empfiehlt es sich auch, dass das Saugrohr einer jeden Pumpe an das allgemeine Saugrohr angeschlossen ist, das aus dem Beckenwasser kommt.

Um für das Schwimmbecken eine gute Wasserqualität zu erreichen ist es erforderlich, eine Anlage zu konzipieren, die das zu filtrierende Wasser sowohl aus der Oberfläche als auch aus dem Beckengrund aufsaugt.

Bei der Errechnung der Saugrohrdaten und des Wasserrückflusses sind folgende Geschwindigkeiten zu beachten:

- Wasserrückflussleitung ins Becken: Höchstgeschwindigkeit in der Leitung: 2 m/sek.
- Saugleitung zur Wasserfilterung: Höchstgeschwindigkeit in der Leitung: 1,5 m/sek

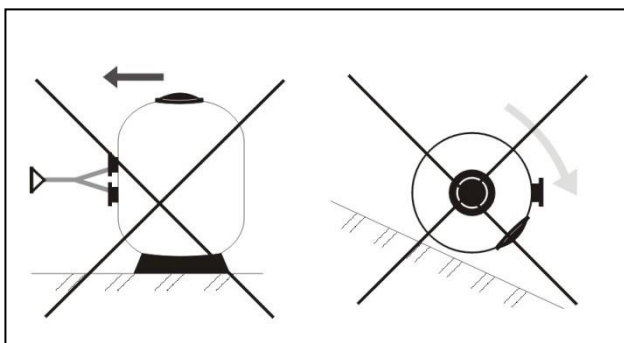
Es ist wichtig, einen Entwurf der Installation zu machen, um ein Minimum an Stabilität zu erreichen (Vermeidung von zu häufigem oder zu seltenem Gebrauch der Pumpe), damit ständige oder nicht notwendige Druckveränderungen im Filter vermieden werden, da dies einen Verschleiß verursacht, der die Lebensdauer reduziert.

Darüber hinaus ist es zur Reduzierung dieses Effekts zu empfehlen, für das Starten und Anhalten der Pumpen einen Frequenzwandler zu verwenden, damit der Anstieg oder Abfall des aufgebauten Drucks so gleichförmig wie möglich verläuft.

## 2. INSTALLATION

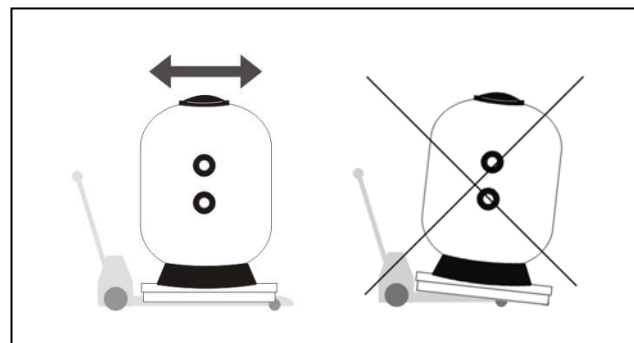
### 2.1 Die Manipulation der Filter

ANMERKUNG: Die Filter werden ordnungsgemäß verpackt geliefert. Aufgrund ihres Gewichtes, Ausmaßes und der Schwierigkeiten bei der Aufstellung auf der Baustelle empfehlen wir, ihre Handhabung und Förderung mit maschinellen Mitteln vorzunehmen (Gabelstapler, Kräne, usw.).

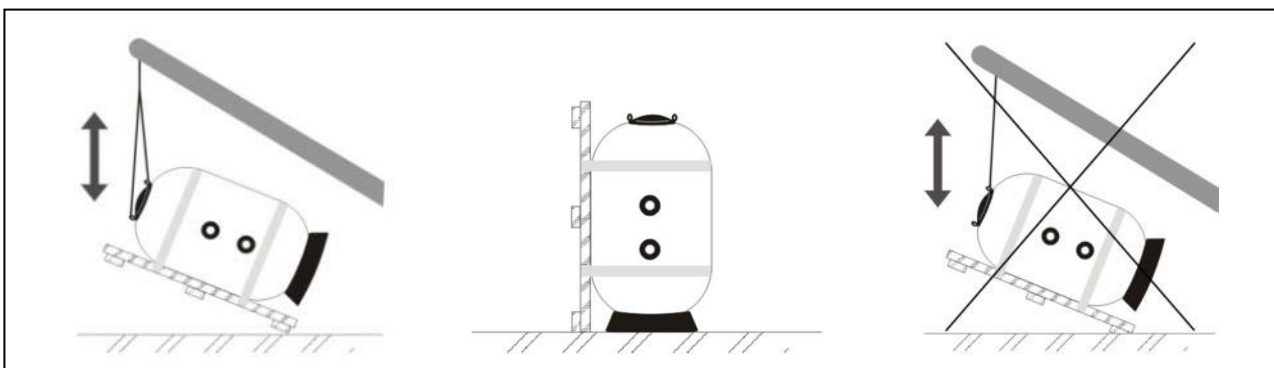


Den Filter nicht ziehen

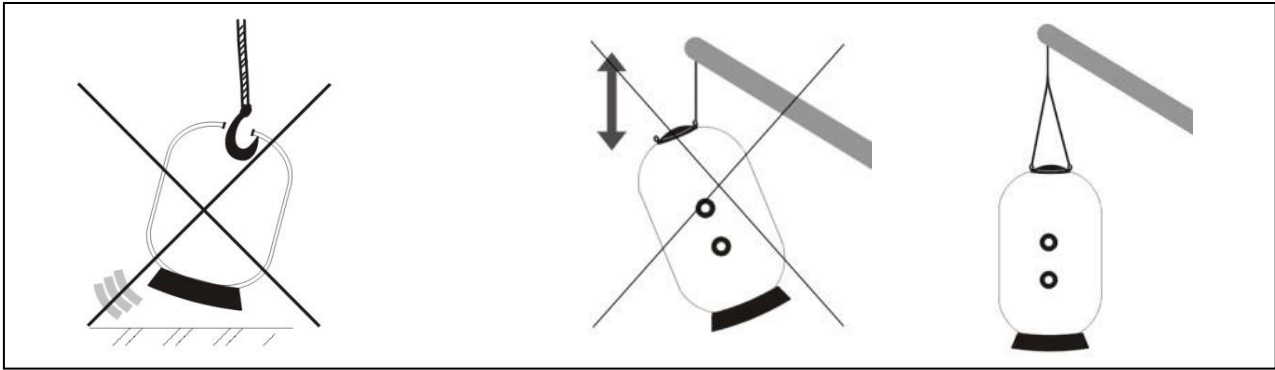
Den Filter nicht rotieren lassen



Palette oder Gabelstapler mit geeigneten Gabeln für den Transport des Filters benutzen



Beide Ösen benutzen um den in horizontaler Position transportierten Filter in eine vertikale Position zu bringen



**Der Gebrauch von Haken für den Transport der Filter ist VERBOTEN**

**Beide Ösen für den Transport der Filter benutzen**

Die Filtermediumbeladung ist nach erfolgtem Filtereinbau am endgültigen Ort entsprechend den Anweisungen unter INBETRIEBNAHME vorzunehmen.

## **2.2 Filtereinbau**

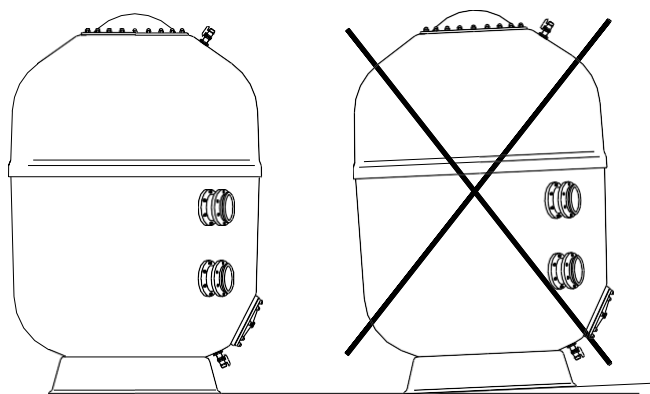
Zur korrekten Filterinstallation sind folgende Schritte einzuhalten:

### **a. Den(die) Filter am endgültigen Ort installieren**

Weiterhin ist es empfehlenswert, dass das Filterhäuschen mit geeigneter Lüftung und geeignetem Wasserablaufsystem ausgestattet ist, so dass bei Unfall das durch jegliches Rohr, jeglichen Filter oder jegliche Pumpe, usw. austretende Wasser ablaufen kann und so eine Beschädigung der bestehenden Anlage verhindert wird (Pumpen, Schalttafeln, usw.).

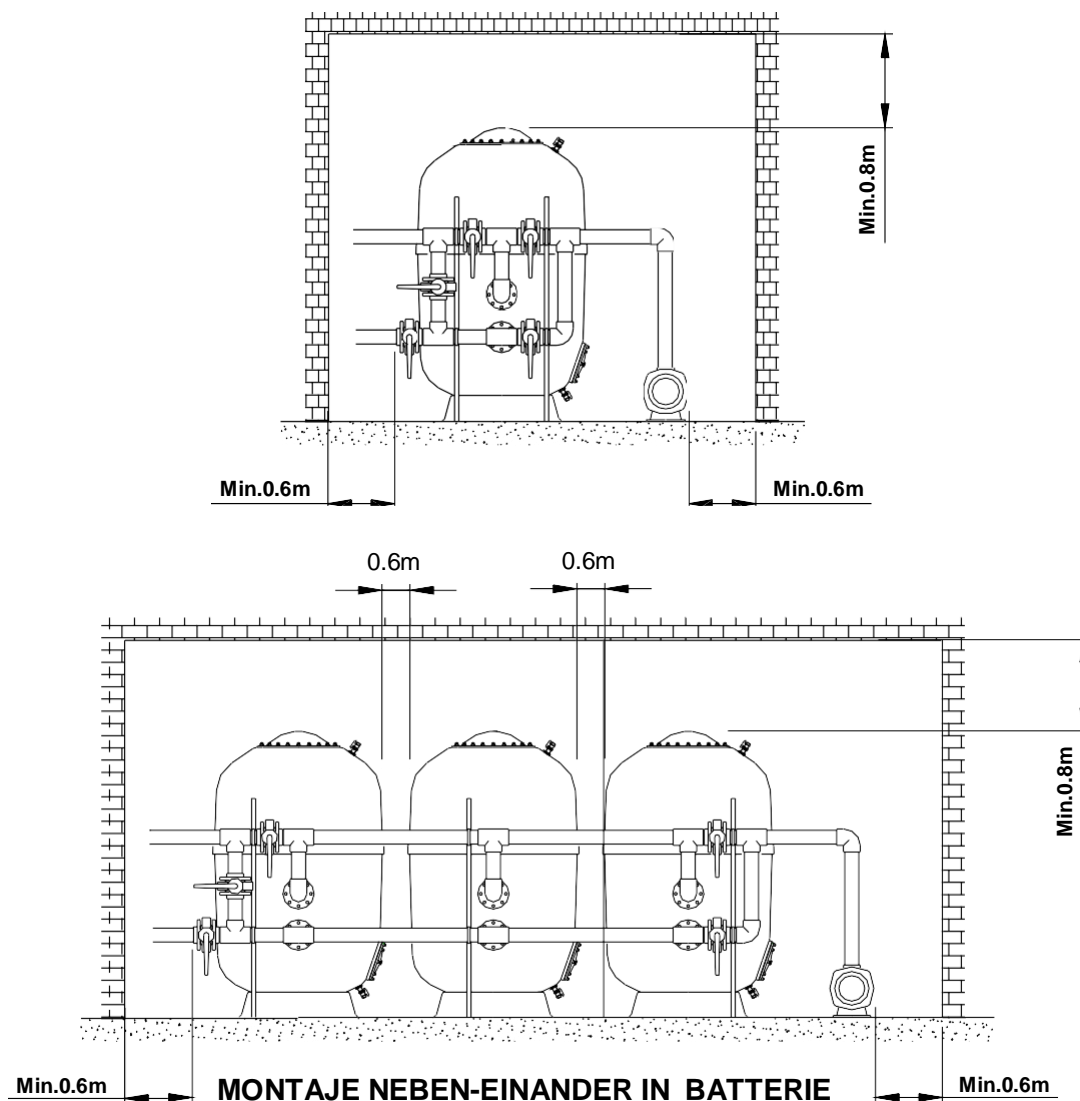
Ist aus gegebenen Umständen vorbenanntes Ablaufsystem nicht möglich, ist ein alternatives und automatisiertes Wasserablaufsystem für die gesamte Halle bzw. den entsprechenden Raum vorzusehen.

Die Filterinstallation ist so vorzunehmen, dass die Stützfläche einwandfrei und absolut waagrecht auf dem Boden aufliegt.



**Der Filter ist auf einer ebenen Fläche sowie in absolut waagrecht Lage aufzustellen**

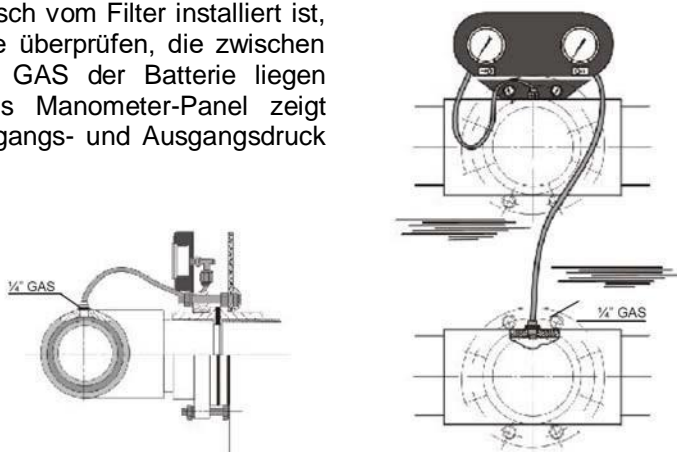
Aufgrund der Tatsache, dass die Filter regelmäßig zu überprüfen sind sowie dass eventuelle Eingriffe in ihrem Inneren erforderlich sein können, ist **UNBEDINGT** ausreichend Freiraum um sie herum und über ihnen zu belassen.



Nach erfolgter Installation und vor Filterbeschickung mit Filtermedium empfehlen wir, die Anlage in Betrieb zu setzen und die Funktionstüchtigkeit aller Elemente und Komponenten zu überprüfen.

**b. Die Batterie(n) bzw. das Wahlventil richtig und Manometer an die Filter montieren**

Sobald das Manometer-Panel am Eintrittsflansch vom Filter installiert ist, die Präsenz der flexiblen Kunststoffschläuche überprüfen, die zwischen den Manometern und den Öffnungen 1/4" GAS der Batterie liegen müssen, so wie die Abbildung zeigt. Das Manometer-Panel zeigt einwandfrei an, welches Manometer den Eingangs- und Ausgangsdruck kontrolliert.



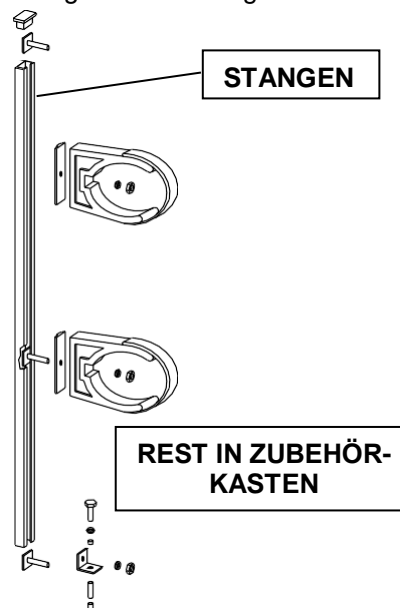
### c. Die geeigneten Batteriestützträger richtig installieren und einstellen (Höhe)

#### Batteriestützträger

Nach erfolgter Batterie-Montage installiert sein Sonderstützen zur Abstützung des Batteriegewichtes sowie des umlaufenden Wassers montiert werden.

Folgende höhenverstellbare Träger sollten installiert werden:

<b>VERZINKTES STAHLROHR (STANGEN)</b>	
Höhe 1,85 m	
Höhe 2,30 m	
Höhe 3,00 m	
<b>ZUBEHÖRKASTEN</b>	
2 schwingungsdämpfende Schellen, Ankerklotz und Zubehör	
Für Rohr Ø75	Für Rohr Ø160 - 4 Ventile
Für Rohr Ø90	Für Rohr Ø200 - 4 Ventile
Für Rohr Ø110	Für Rohr Ø225 - 4 Ventile
Für Rohr Ø125	Für Rohr Ø160 -5 Ventile
Für Rohr Ø140	Für Rohr Ø200 -5 Ventile
	Für Rohr Ø225 -5 Ventile



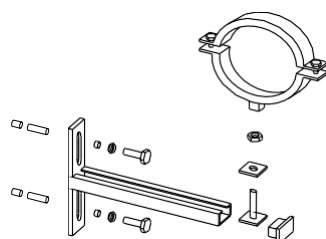
- Für die Auswahl der Stange sollte die Höhe der Anschlüsse des gewählten Filters beachtet werden.
- Für den Zubehörkasten ist auf Batteriedurchmesser und Ventilanzahl zu achten.
- Für eine Einfilter-Batterie sind zwei Stangen und zwei Zubehörkästen erforderlich, für Zwei- oder Mehrfilterbatterien empfiehlt sich mindestens eine Stange und ein Kasten pro Filter.

Zur Installation es es erforderlich, vorab die Schellenhöhe der Batterie entsprechend anzupassen und anschliessend den Träger mit der entsprechenden Verankerung am Boden zu befestigen.

#### Rohrträger

Bei Montage der Anlage ist eine Abstützung der Rohrleitungsabschnitte zur Vermeidung von Schäden oder Brüchen durch eventuell auftretende Schwingungen und Knicke erforderlich. Deshalb empfehlen wir den Einbau Trägerteile:

<b>Ø Rohrleitung</b>
75
90
110
125
140
160
200
225



Zur Installation ist wie folgt vorzugehen:

- Schelle in zwei Teile auseinandernehmen
- Unteres Schellenteil am Eisenträger montieren
- Trägerlage markieren
- Wandlöcher bohren
- Träger an der Wand befestigen
- Rohrleitung mit Flansch befestigen

### d. Batterie oder Wahlventil mit den Antriebsrohren der Pume(n), dem Rückflussrohr zum Becken und dem Ablaufrohr verbinden

### 3. INBETRIEBNAHME

**VORSICHT, die Kunststoffelemente nicht mit Produkten reinigen, die diese angreifen könnten**

Zur richtigen Filterbeschickung mit Filtermedium empfiehlt sich:

#### Überprüfung

1. Nach Fertigstellung der Anlage und vor Filtermediumbeschickung empfiehlt sich ein hydraulischer Test sowohl der Filter als auch der Anlage, um die korrekte Montage der Anlage abzusichern. Leeren Sie den Filter
2. Filterdeckel entnehmen ohne Dichtung und Schließfläche des Deckels zu beschädigen.
3. Alle Filterkomponenten (Fangarme, usw.) auf eventuelle Transportschäden und entsprechend einwandfreien Zustand überprüfen.

#### Inbetriebnahme

4. Wasser bis ca zur Hälfte des Filters auffüllen. Das Filtermittel vorsichtig einfüllen, beginnend mit den inneren Schichten (dabei die Körnungsgröße im Verhältnis zum Durchlassschlitz des Kollektor-Systems beachten von aufzufüllen ist bis die Fangarme System bedeckt sind (ca. 10 cm). Dieser Vorgang ist zur Vermeidung von Beschädigungen der Filterinnenkomponenten mit besonderer Vorsicht vorzunehmen. Bei zunehmender Filterbeschickung mit Filtermedium ist dieser vorsichtshalber über die gesamte Filterfläche zu verteilen.
5. Für eine homogene Verteilung des Sandes ist es notwendig eine kurze Waschen des Filters in der Mitte des Ladevorgangs.
6. Filtermedium bis zur maximalen Filtrationshöhengrenze auffüllen (prüfen nach Mittel)
7. Filterhalsfläche, Dichtung und Deckel vor Montage gewissenhaft reinigen. Filter schließen. Dabei beachten, dass sich die Dichtung in korrekter Lage befindet und dass der Deckel vorsichtig und ohne Positionsveränderung aufgelegt wird.

Vor Inbetriebnahme und nach erfolgter Beschickung und Schließung des Filters ist dieser zu waschen. Dazu ist gemäß den Anweisungen des Abschnittes „Waschen“ des Filters vorzugehen

**HINWEIS: Der Hersteller übernimmt keine Verantwortung für Schäden am Filter, die während der Handhabung, Montage und Inbetriebnahme derselben entstehen.**

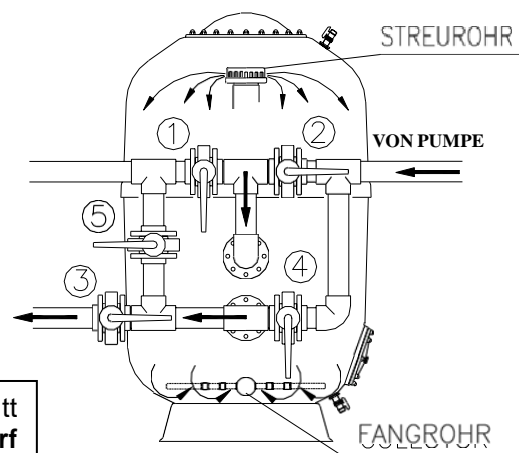
### 4. NORMALER BETRIEBSZYKLUS

#### 4.1 Filtern

MIT ANGEHALTENER PUMPE sind die Ventile in die in der Abbildung angegebene Position, nämlich Filterungsposition, zu bringen.

In Betrieb kann es durch Verschmutzung dazu führen, dass der Einlassdruck erhöht bzw. der Auslassdruck reduziert wird. Es wird empfohlen Filter und Manometer regelmässig zu reinigen, wenn der angegebene Betriebsdruck eine Abweichung vorweist.

Bei Filtern mit **Düsenboden** empfehlen wir eine Spülung (abschnitt 4.2) wenn die Druckdifferenz 0,6 bar beträgt. **Die Differenz darf niemals 0,8 bar übersteigen**



**ACHTUNG: NIEMALS DEN MAXIMALEN FILTERDRUCK ÜBERSCHREITEN**

## 4.2 Waschen

Für den Waschvorgang sind die Ventile in die in der Abbildung gezeigte Waschposition zu bringen. Dabei muß sich die PUMPE IMMER IM STILLSTAND befinden.

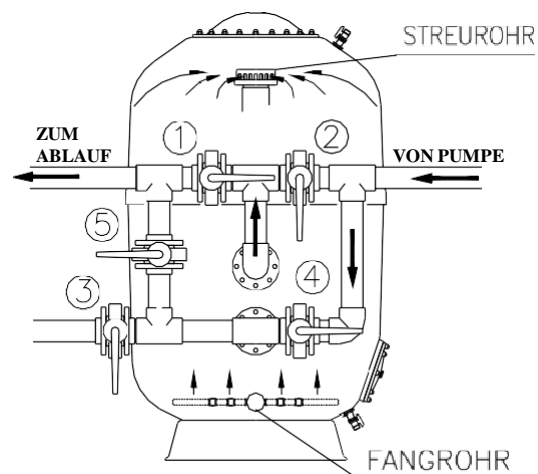
Die Filtermediumbeschickung (Filterbett) bildet tausende von Wasserdurchlaufrinnen, die Verunreinigungen und Festreststoffe aus dem Filterwasser auffangen. Mit der Zeit blockieren diese Rückstände die vorbenannten Rinnen. Deshalb ist es erforderlich, den Filter in regelmäßigen Zeitabständen zur optimalen Funktion zu reinigen und die Rückstände und Verunreinigungen in den Ablauf fließen zu lassen.

Es wird eine Zeitspanne von 7 Minuten für die Reinigung empfohlen  
Filtergeschwindigkeit zwischen 40 u. 50 m<sup>3</sup>/h/m<sup>2</sup>

Es empfiehlt sich die Anbringung eines Sichtfensters am Ablaufrohr, so dass bei einem Waschvorgang das aus dem Filter kommende Schmutzwasser beobachtet und so die Dauer des Waschvorgangs bestimmt werden kann.

Grenzwerte von 50m<sup>3</sup>/h/m<sup>2</sup> nicht überschreiten. Charakteristiken des Filtermediums konsultieren.

Wenn Luft benutzt wird, ist eine Geschwindigkeit von 60 m<sup>3</sup>/h/m<sup>2</sup> zu empfehlen. NIEMALS EINEN KOMPRESSOR VERWENDEN, da dieser den Filter beschädigen kann. Ein Gebläse benutzen und dafür sorgen, dass der Innendruck 1 bar nicht übersteigt. Überprüfen, dass die Entlüftung während der Luftreinigung geöffnet ist.



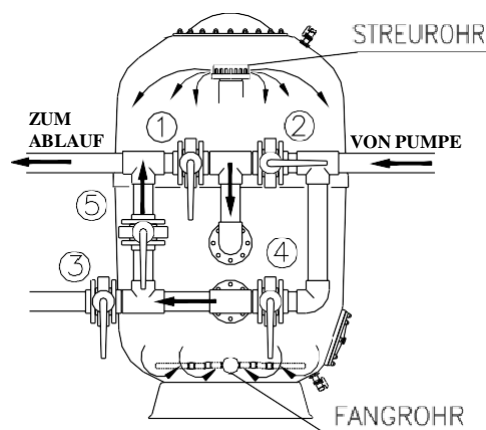
## 4.3 Spülen

Dieser Vorgang empfiehlt sich für nach dem WASCHEN und dient dazu, die während der Filterwäsche eventuell in das Fangrohr eingedrunnenen Schmutzreste in das Ablaufrohr auszustoßen.

Dieser Vorgang sollte für 3 Minuten durchgeführt werden und vermeidet die Verschmutzung durch Wassertrübung.

Für diesen Vorgang sind die Ventile in die in der Abbildung gezeigte Spülposition zu bringen. Dabei muß sich die PUMPE IMMER IM STILLSTAND befinden. Anschliessend ist sofort wieder in die Filtrationsposition zu gehen.

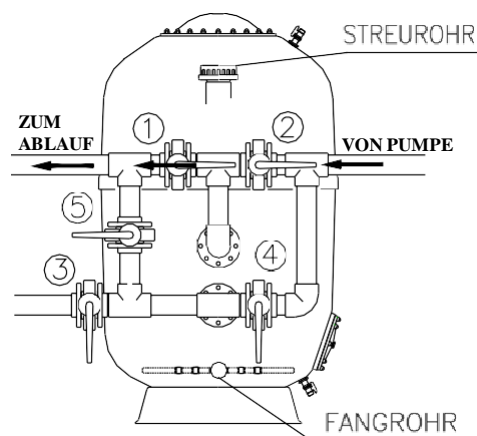
Spülvorgänge können nur durchgeführt werden, wenn die Batterie über 5 Ventile verfügt bzw. wenn der Filter mit einem Wahlventil ausgestattet ist.



## 4.4 Entleeren

Ist es erforderlich das Schwimmbad zu leeren und verfügt dieses über keinen direkten Anschluss an die Abwasserkanalisation, so kann es mit der Filterpumpe entleert werden, indem die Ventile in die im Kapitel „Entleeren“ gezeigte Position gebracht werden.

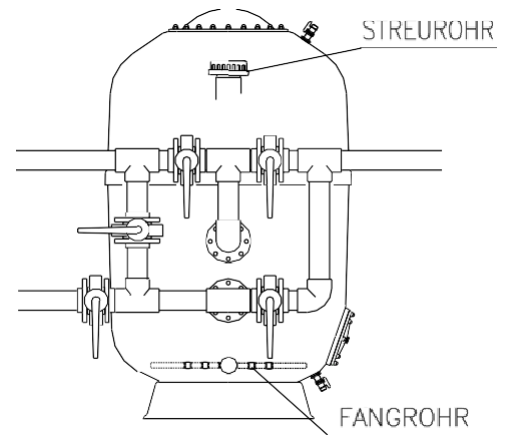
Dazu ist es erforderlich, dass die Skimmer, Überlaufkanal und Bodensaugerventile geschlossen sind bevor der Entleerungsvorgang angeschlossen wird.



## 4.5 Schließen

Wie das Titelwort bereits sagt, müssen alle Ventile der Batterie geschlossen sein.

Dieser Vorgang dient zur Filterwartung, zur Reinigung des Vorfilters, usw.

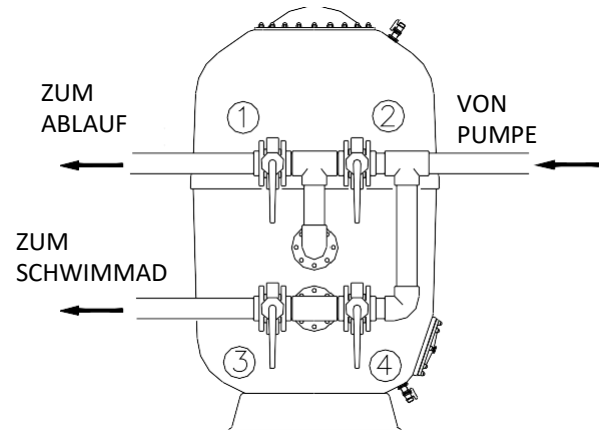


## 5. VENTILE-BATTERIE. VENTILSTELLUNGEN ZU DEN EINZELNEN VORGÄNGEN

### 5.14-Ventile-Batterien

Schalttafel der 4-Ventile-Batterien.

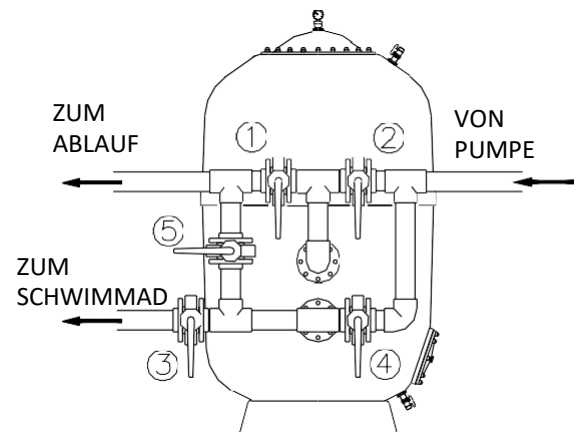
Position	1	2	3	4
Filtern	zu	auf	auf	zu
Waschen	auf	zu	zu	auf
Entleeren	auf	auf	zu	zu
Schließen	zu	zu	zu	zu



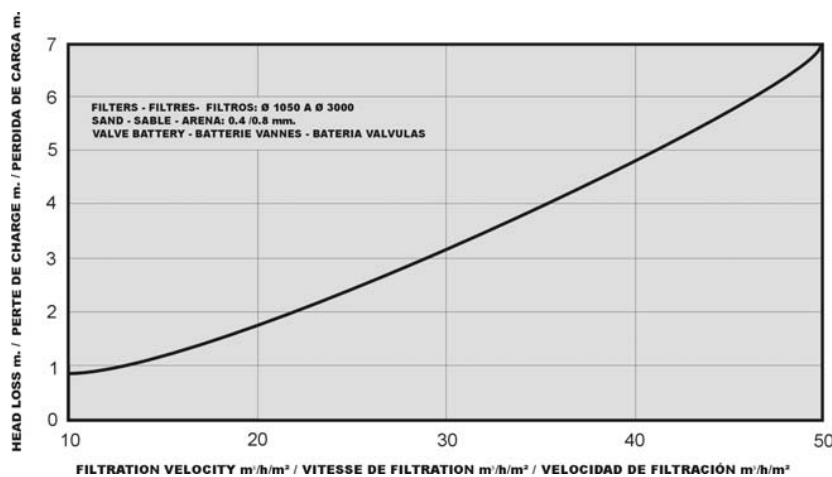
### 5.25-Ventile-Batterien

Schalttafel der 5-Ventile-Batterien.

Position	1	2	3	4	5
Filtern	zu	auf	auf	zu	zu
Waschen	auf	zu	zu	auf	zu
Spülen	zu	auf	zu	zu	auf
Entleeren	auf	auf	zu	zu	zu
Schließen	zu	zu	zu	zu	zu



## 6. TABELLE FILTERBELADUNGSVERLUSTE, MIT FILTERMEDIUM



## **7. WARTUNG DER SCHWIMMBAD-FILTER**

- Die Filter sind immer in einwandfreiem Zustand zu halten. Nur dadurch kann eine gute Wasserqualität gewährleistet werden.
- Wichtig: Alle Filterkomponenten sind in einwandfreiem Zustand zu halten. Dazu sind sie regelmäßig zu überprüfen und im Falle der Teile- bzw. Dichtungsbeschädigung oder –verschleiß auszutauschen.
- Zur Filterreinigung dürfen keine Lösungsmittel verwendet werden, da diese die eingebauten Kunststoffteile zerstören können. Der Filter kann einfach mit Wasser und Seife gereinigt werden.
- Das Filtermedium muss regelmäßig ausgetauscht werden. Fragen Sie Ihren Lieferanten.
- Das Filtrat Medien und die Einlass / Auslass-Anschlüsse, sollte es ausreichend sein, und es sollte in guten Bedingungen gehalten werden, um das Polyester-Abbau zu vermeiden.

### **7.1 Filterfiltermediumentleerung**

Um den Filtersnad zu entleeren, ist wie folgt vorzugehen:

1. Filterwasser entleeren.
2. Deckel entnehmen.
3. Bei austretendem Filtermedium diesen aus dem Wasserablass entfernen, um Verstopfung zu vermeiden.
4. Es ist erforderlich, dass eine Person über die obere Öffnung in das Innere des Filters steigt, um den Filtermedium in den Ablassbereich zu führen und so den Austritt zu erleichtern.

Um den Filter wieder mit Filtermedium aufzufüllen, ist gemäß de Anweisungen unter INBETRIEBNAHME vorzugehen.

### **7.2 Lagerung der Filter über Winter**

Um die Filterkomponenten in der Winterlagerungszeit nicht zu beschädigen, sind folgende Schritte erforderlich.

- Wasch- und Spülvorgang gemäß Anweisungen durchführen.
- Pumpe anhalten.
- Wasserfilter entleeren.
- Ventile der Saug- und Antriebsrohre zur Filterisolierung schließen.
- Filterdeckel zur Belüftung während der Stillstandzeit entfernen.
- Es empfiehlt sich weiterhin sämtliche Rohrleitungen zu entleeren, um frostbedingte Brüche zu vermeiden.

## **8. SICHERHEITSHINWEISE**

- Vor Handhabung des Filter oder der Ventile sicherstellen, dass die Pumpe angehalten und der Filter druckfrei ist. Aus Sicherheitsgründen Pumpe und eventuell bestehende elektrische Anlagen abschalten.
- Schließen Sie niemals den Filter direkt an die Wasserversorgung, da der Druck höher als der Maximaldruckdes Filters sein kann.
- Filterinnenbereich vor Beginn eines jeden Filtrationskreislaufes entlüften.
- Da die Verbindungen mit Dichtungen hergestellt sind, ist es nicht erforderlich, die Muttern sehr fest anzuziehen.
- Kunststoffteile nicht mit Lösungsmitteln reinigen, andernfalls könnten sie ihre Eigenschaften verlieren.
- Kinder von den Filtern fernhalten.
- Filter gegen Frost schützen.
- Vor Pumpenanschluss ist zu überprüfen, dass der Filterdeckel ordnungsgemäß verschlossen ist.
- Montieren Sie den Filter in einem gut belüfteten und mit den geeigneten Abflüssen versehenen Bereich, so nah wie möglich am Poolbecken und unterhalb des Wasserstands des Pools, um eine Absenkung im Inneren zu vermeiden.



## 9. PROBLEM- BZW. EVENTUELLE STÖRUNGSBESEITIGUNG

PROBLEM	URSACHE	BESEITIGUNG
Geringer Filtrationsdurchfluß	Verschmutzter Pumpen-Vorfilter	Vorfilter reinigen
	Pumpenmotor dreht in umgekehrte Richtung	Drehrichtung des Pumpenmotors umkehren
	Filter verschmutzt	„Waschen“ vornehmen
	Verstopfte Rohrleitungen	Reinigung vornehmen
	Pumpe saugt Luft auf	Gesamte Anlage überprüfen und eventuelle Undichtheiten beseitigen
Heftige Schwankungen des Druckmessers	Pumpe saugt Luft auf	Vorfilter und Saugrohre auf Wasserlecks überprüfen
	Saugung halb geschlossen	Überprüfen, dass Saugventile offen sind
Pumpe saugt Luft auf	Algen im Schwimmbad	Chemische Behandlung vornehmen
	Filter verschmutzt	„Waschen“ vornehmen
	Hoher Wasser-PH-Wert (trübes Wasser)	PH.-Wert reduzieren
	Chlormangel (grünes Wasser)	Chlor hinzufügen
Rasche Druckzunahme Luftblasenbildung in Düsen	Niedriger Wasserpegel im Schwimmbad	Schwimmbad auffüllen
	Saugventile teilweise geschlossen	Überprüfen und Ventile öffnen
	Verschmutzter Pumpen-Vorfilter	Vorfilter reinigen
Das Manometer schwankt heftig	Die Pumpe zieht Luft	Die gesamte Installation überprüfen und mögliche Lecks schließen
	Saugen halb geschlossen	Überprüfen, ob die Saugventile vollständig geöffnet sind
Es befindet sich Sand aus dem Filter im Pool	Es gibt einen Bruch im Kollektor-System	System reparieren
Der Sand rinnt in den Abfluss während der Reinigung	Zu hoher Wasserfluss der Reinigung oder zu viel Sand	Wasserfluss der Reinigung reduzieren oder Sand entnehmen, bis das korrekte Niveau erreicht ist
Es gibt Lecks in Anschlüsse oder Deckel	Locker Schrauben, schmutzige oder falsche Dichtungen	Nach Reinigung oder Erneuerung der Dichtung ziehen Sie die Schrauben behutsam an. Wenn das Problem nicht behoben werden kann wenden Sie sich an den technischen Support.

- **Wenn Sie Zweifel haben, konsultieren Sie den technischen Dienst**
- **Der Hersteller übernimmt keine Verantwortung für mögliche Schäden, die durch Nichtbefolgung des Handbuchs entstehen können**

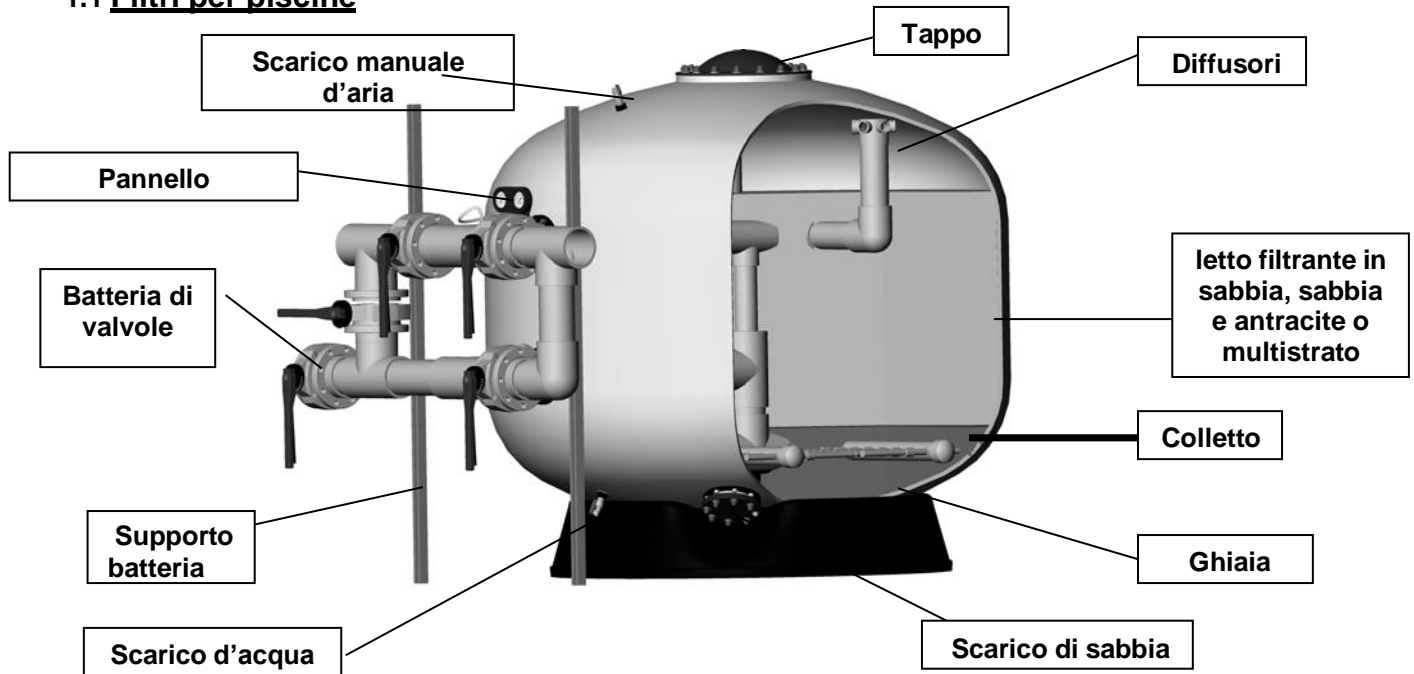
<b>VERIFICARE IL CONTENUTO DELL'IMBALLAGGIO</b> .....	<b>1</b>
<b>1. GENERALITÀ</b> .....	<b>1</b>
1.1 Filtri per piscine .....	1
1.2 I filtri .....	2
1.3 Scelta dei filtri e del tipo di installazione .....	2
1 1 Caratteristiche dei filtri .....	2
2 2 Caratteristiche dell'installazione .....	2
<b>2. INSTALLAZIONE</b> .....	<b>3</b>
2.1 Installazione dei filtri .....	3
2.2 Installazione dei filtri .....	4
a. Installare il/i filtro/i in una collocazione definitiva .....	4
b. Montare la/e batteria/e o valvola selezionatrice e il manometri nel/i filtro/i correttamente .....	5
c. Installare i supporti delle batterie adeguati e regolarli (altezza) .....	6
d. Collegare la batteria o valvola selezionatrice con le tubature di impulsione della/e pompa/e, la tubatura di rimessa alla piscina e la tubatura di scolo .....	6
<b>3. AVVIAMENTO</b> .....	<b>7</b>
<b>4. CICLO NORMALE DI FUNZIONAMENTO</b> .....	<b>7</b>
4.1 Filtrazione .....	7
4.2 Lavage .....	8
4.3 Risciacquo .....	8
4.4 Svuotamento .....	8
4.5 FChiusura .....	9
<b>5. BATTERIA DI VALVOLE. POSIZIONE DELLE VALVOLE IN OGNI OPERAZIONE</b> .....	<b>9</b>
5.1 Batterie di 4 valvole .....	9
5.2 Batterie di 5 valvole .....	9
<b>6. TAVOLA DI PERDITE DI CARICO DEI FILTRI, CON SETTO FILTRANTE</b> .....	<b>9</b>
<b>7. MANUTENZIONE DEI FILTRI PER PISCINE</b> .....	<b>10</b>
7.1 Svuotamento della setto filtrante del filtro .....	10
7.2 Periodo di inattività del filtro .....	10
<b>8. AVVERTENZE DI SICUREZZA</b> .....	<b>10</b>
<b>9. RISOLUZIONE DI PROBLEMI O POSSIBILI AVARIE</b> .....	<b>11</b>

# VERIFICARE IL CONTENUTO DELL'IMBALLAGGIO

Verificare che il filtro e tutti i suoi componenti siano in buone condizioni dopo il trasporto. Insieme al filtro c'è una cassetta che contiene i manometri e gli altri accessori ausiliari che comprendono anche il presente manuale. Si troverà anche la documentazione necessaria per la garanzia.

## 1. GENERALITÀ

### 1.1 Filtri per piscine



I filtri sono senza dubbio gli accessori più importanti per la pulizia dell'acqua. Il loro uso ha per oggetto l'eliminazione delle materie in sospensione che contaminano l'acqua.

L'efficacia di un filtraggio corretto condiziona i risultati del trattamento dell'acqua.

Il principio fisico della filtrazione consiste nel trattenere le particelle in sospensione che sono portate dall'acqua durante il passaggio attraverso il letto filtrante.

Il processo di filtrazione e depurazione dell'acqua include tutta una gamma d'elementi da tenere in considerazione oltre al filtro, come per esempio le pompe, i trattamenti chimici dell'acqua, gli accessori della vasca della piscina che assicurano il ritorno o l'aspirazione dell'acqua, o il resto di elementi in grado di assicurare una corretta circolazione e mantenimento della qualità dell'acqua

e ad esse devono far riferimento gli installatori prima di realizzare qualsiasi disegno o installazione. Perciò dovranno disegnare e definire gli elementi e i materiali del progetto rispettando le norme stabilite.

La qualità di filtrazione dipende da diversi parametri: ideazione del filtro e forma, altezza del letto filtrante, caratteristiche e granulometria della massa filtrante, ecc. . Va segnalato che la velocità di filtrazione è una caratteristica determinante per l'ottenimento di una buona qualità del filtraggio.

Altri concetti importanti da tenere in considerazione nella scelta del filtro sono le caratteristiche dei materiali impiegati nella fabbricazione, la temperatura d'impiego e la pressione di lavoro.

## 1.2 I filtri

Per la fabbricazione del serbatoio dei filtri, si utilizzano materiali anticorrosivi come le resine di poliestere e la fibra di vetro. Al loro interno incorporano un collettore e un diffusore in materiale plastico.

Vengono forniti per una pressione massima ammissibile e temperatura indicare sull'etichetta del filtro. La **pressione e la temperatura non devono mai essere superate e ne viene indicato il livello massimo**. Il livello abituale di lavoro dovrebbe essere sempre al **massimo di un 20% al di sotto della pressione massima ammissibile**.

# USO ECCESSIVO PER PISCINA

## 1.3 Scelta dei filtri e del tipo di installazione

### 1.3.1 Caratteristiche dei filtri

Per una corretta filtrazione dell'acqua della piscina, si consiglia che i tempi massimi di ricircolo di tutto il volume d'acqua della piscina sia di:

Piscine pubbliche	4 horas
Piscine residenziale	8 horas
Piscine pubbliche per bambini	1,5 horas

D'altra parte, un altro parametro importante da cui dipende direttamente la qualità della filtrazione è la velocità del passaggio dell'acqua attraverso i filtri. Consigliamo le seguenti velocità:

Piscine pubbliche	20 m <sup>3</sup> /h/m <sup>2</sup>
Piscine residenziale	40 m <sup>3</sup> /h/m <sup>2</sup>

Per altre applicazioni, la velocità del filtraggio dipenderà dalla velocità dell'acqua effluente, dall'applicazione e dal disegno stesso dell'installazione. In qualsiasi caso, deve essere consultata la normativa del luogo.

Per una buon filtraggio consigliamo di non superare i 40 m<sup>3</sup>/h/m<sup>2</sup>, tenendo conto che la qualità di filtrazione dipende direttamente dalla granulometria della sabbia filtrante e dall'altezza del letto filtrante.

I filtri sono disegnati per lavorare in pressione. Nel caso in cui sia possibile una determinata fase di lavoro che sottoponga i filtri a **depressione**, è imprescindibile il montaggio di una **volta a doppio effetto**.

È necessario verificare che l'installazione di adegui alla tipologia di filtri utilizzati per evitare sovrappressioni e/o depressioni.

### 1.3.2 Caratteristiche dell'installazione

Per la scelta della pompa si deve tenere in considerazione il volume d'acqua necessario a 10 m.c.a.

È necessario che l'installazione disponga di un prefiltro dalle caratteristiche necessarie.

In base al numero di pompe da installare si consiglia di installare la stessa quantità di pompe che di filtri, ognuna di loro con un volume d'acqua necessario per ottenere la velocità di filtrazione desiderata in un filtro.

Nonostante ciò, si raccomanda che l'impulsione di ognuna delle pompe sbocchi in una tubatura generale di impulsione diretta ai filtri. In tal modo, quando i filtri filtrano l'acqua della piscina tutte le pompe saranno in funzione, mentre quando si vorrà fare un lavaggio dei filtri si farà per parti, ovvero, con tutte le pompe in funzione verrà chiuso un dato numero di filtri (per ottenere una velocità di lavaggio da 40 a 50 m<sup>3</sup>/h/m<sup>2</sup>). Una volta lavato il primo gruppo di filtri, questi si chiuderanno e si laverà il secondo gruppo.

Con questo montaggio eliminiamo la necessità di avere pompe di scorta per il lavaggio dei filtri.

Come per l'impulsione, è consigliabile che la tubatura di aspirazione di ogni pompa, proceda da una tubatura generale di aspirazione dell'acqua della piscina.

Per ottenere una buona qualità dell'acqua della piscina, è necessario disegnare un'installazione in modo tale che l'acqua che si deve filtrare proceda tanto dalla superficie come dal fondo della piscina.

Nel calcolo delle tubature di aspirazione e rimessa dell'acqua della piscina si terranno in considerazione le seguenti velocità:

- Linea di rimessa dell'acqua filtrata nella piscina: Velocità massima nella linea: 2 m/s.
- Linea di aspirazione d'acqua da filtrare: Velocità massima nella linea: 1,5 m/s.

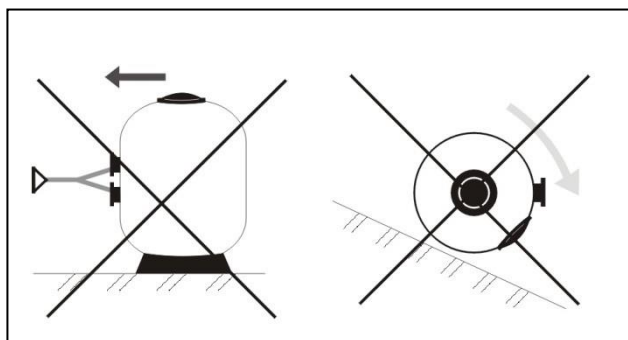
È importante progettare l'installazione per mantenere un minimo di stabilità (evitando un avviamento e un arresto eccessivo delle pompe) allo scopo di evitare continue e innesessarie variazioni di pressione nel filtro, che potrebbero causare affaticamento del motore e ridurre la sua vita utile.

Inoltre, per ridurre questo effetto, è raccomandabile che durante gli avvii e gli arresti delle pompe venga usato un variatore di frequenza nella pompa, affinché l'incremento o la riduzione di pressione generato si verifichi nel modo il più lineare possibile.

## 2. INSTALLAZIONE

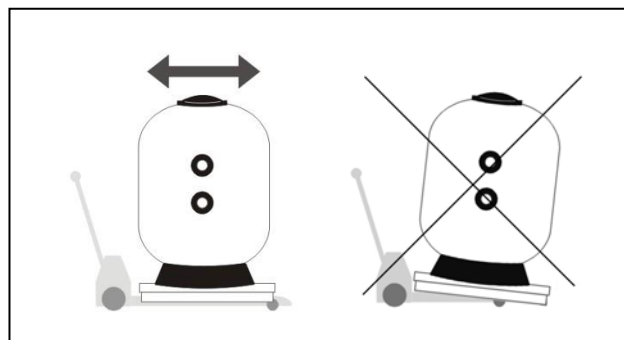
### 2.1 Installazione dei filtri

NOTA: I filtri si consegnano opportunamente imballati e dato il loro peso, le loro dimensioni e le difficoltà esistenti per la loro ubicazione nella struttura, si raccomanda che la loro manipolazione e trasporto vengano effettuati con mezzi meccanici (elevatori, gru, ecc. ).

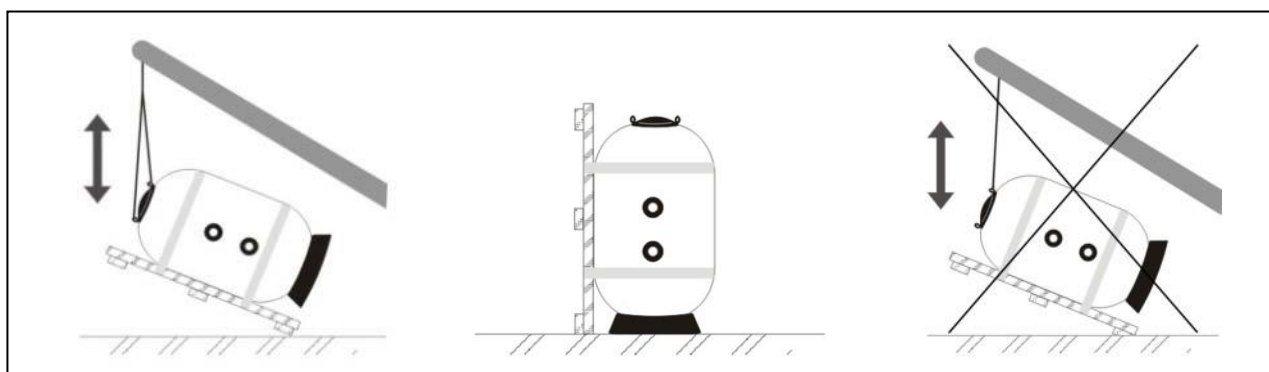


Non trascinare mai il filtro

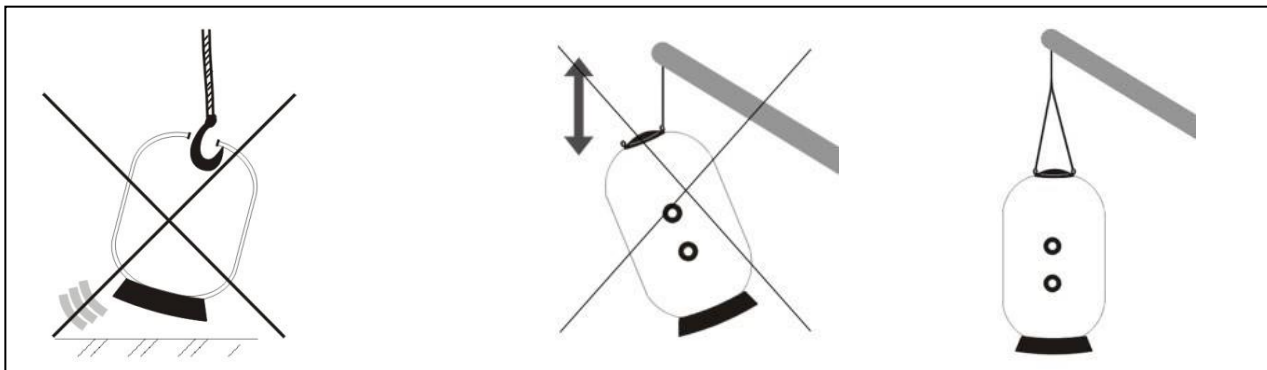
Non far rotolare mai il filtro



Utilizzare il transpallet o gli elevatori con le pale adeguate per trasportare il filtro



Utilizzare entrambi i punti di aggancio per situare in posizione verticale ed in posizione orizzontale i filtri trasportati



**È PROIBITO l'uso di ganci per trasportare i filtri**

**Utilizzare entrambi i punti di aggancio per trasportare i filtri**

Il caricamento di setto filtrante deve essere realizzato una volta installato il filtro nella sua ubicazione definitiva seguendo le installazioni della parte dedicata all'AVVIAMENTO.

## **2.2 Installazione dei filtri**

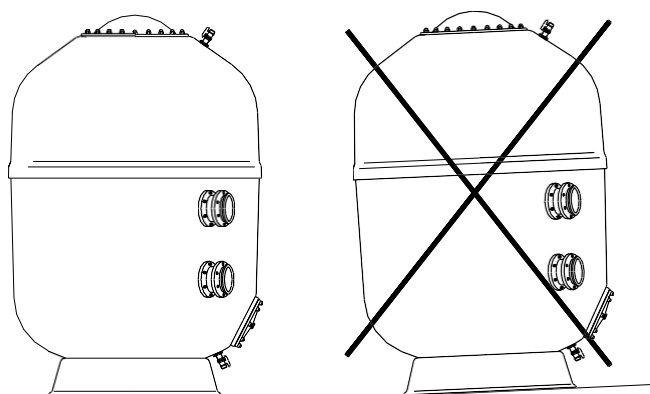
Le fasi da seguire per una corretta installazione dei filtri sono le seguenti:

### **a. Installare il/i filtro/i in una collocazione definitiva**

Convien che la cassetta dove vengono installati i filtri sia provvista di ventilazione e degli scoli adeguati perché, in caso di incidente, l'acqua che potrebbe uscire da qualsiasi tubatura, filtro, pompa, ecc., possa essere evacuata, evitando così il rischio di danni alle installazioni esistenti (pompe, quadri elettrici, ecc. ).

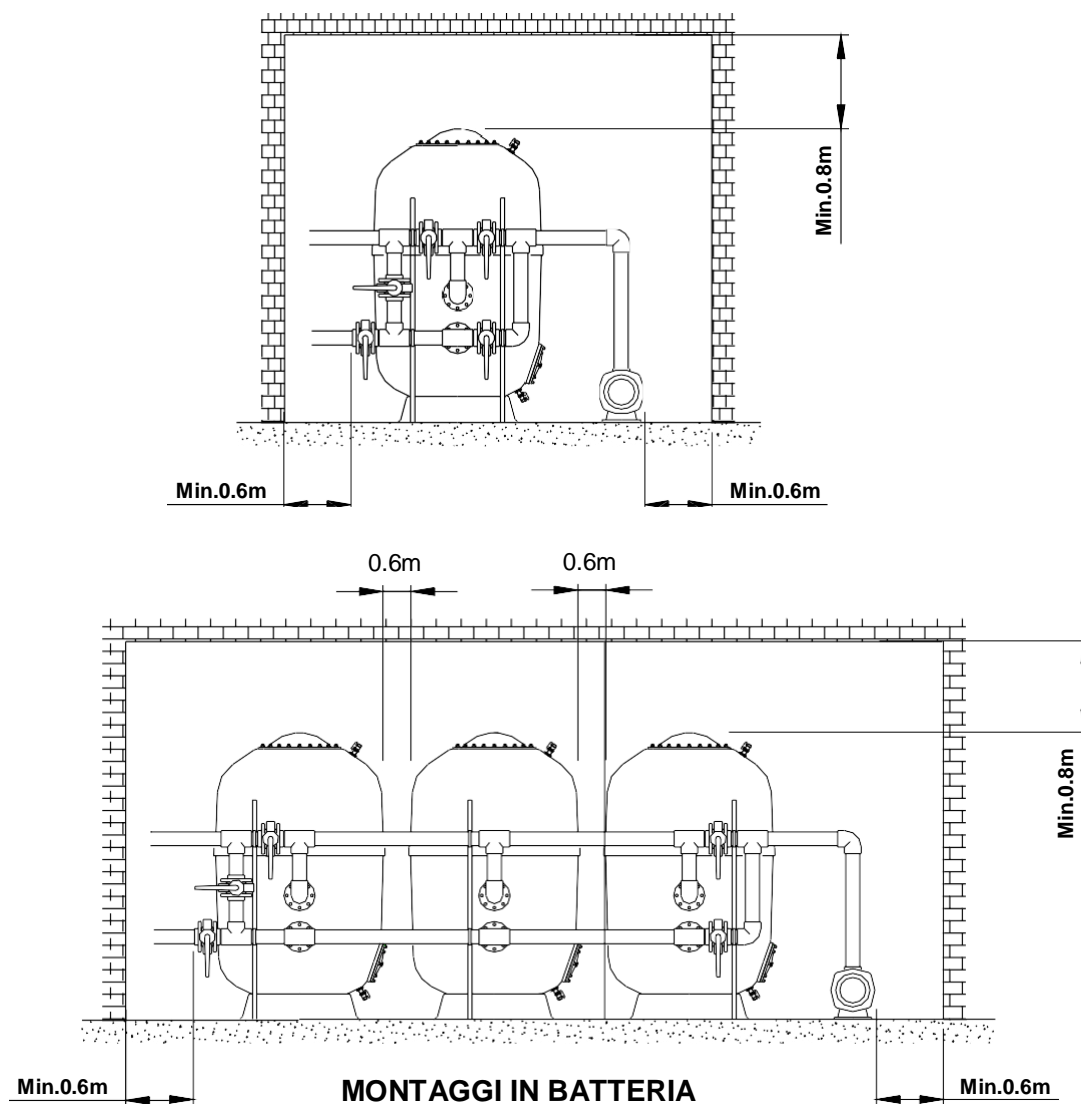
Se per qualsiasi ragione non si potesse disporre di questi scoli, sarebbe il caso di installare un sistema alternativo automatizzato per evacuare l'acqua dalla sala.

L'installazione dei filtri verrà effettuata in modo tale che la base rimanga perfettamente appoggiata al suolo e su un piano completamente orizzontale.



**Appoggiare il filtro su un piano completamente orizzontale**

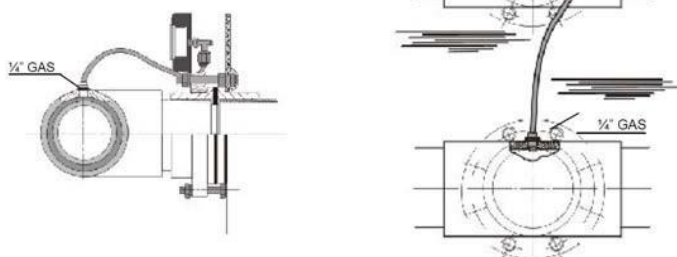
Dato che i filtri richiedono revisioni periodiche e in previsione di eventuali interventi interni è **INDISPENSABILE** lasciare un minimo di spazio libero attorno e sopra i filtri.



Dopo aver terminato l'installazione e prima di situare la sabbia nel filtro è conveniente avviare l'installazione e verificare che non esistano fughe e che tutti gli elementi funzionino correttamente.

**b. Montare la/e batteria/e o valvola selezionatrice e il manometri nel/i filtro/i correttamente**

Una volta che è stato installato il pannello dei manometri nella flangia di entrata al filtro, osservare la presenza dei tubi di plastica flessibile e trasparenti i quali devono essere collegati tra i manometri e i fori da 1/4 " GAS della batteria. Il pannello dei manometri identifica perfettamente il manometro che controlla la pressione di entrata e la pressione di uscita.



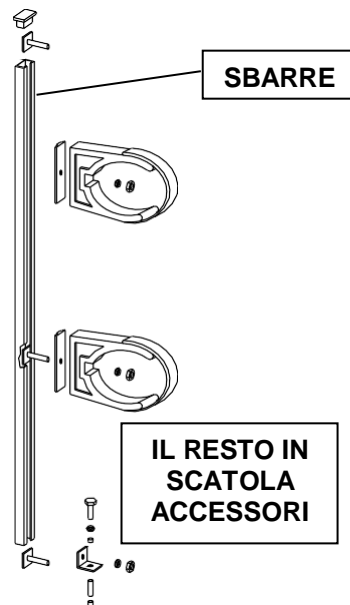
### c. Installare i supporti delle batterie adeguati e regolarli (altezza)

#### Supporti delle batterie

Una volta installata la batteria deve essere installato supporti speciali per sopportare il peso della batteria e dell'acqua che vi circola.

Si raccomanda l'installazione dei seguenti supporti regolabili in altezza:

<b>TUBO DI ACCIAIO ZINCATO (SBARRE)</b>	
Altezza di 1,85 m	
Altezza di 2,30 m	
Altezza di 3,00 m	
<b>SCATOLA ACCESSORI:</b>	
2 ghiera antivibrazione, tassello di ancoraggio e accessori	
Per tubo Ø75	Per tubo Ø160 - 4 valvole
Per tubo Ø90	Per tubo Ø200 - 4 valvole
Per tubo Ø110	Per tubo Ø225 - 4 valvole
Per tubo Ø125	Per tubo Ø160 - 5 valvole
Per tubo Ø140	Per tubo Ø200 - 5 valvole
	Per tubo Ø225 - 5 valvole



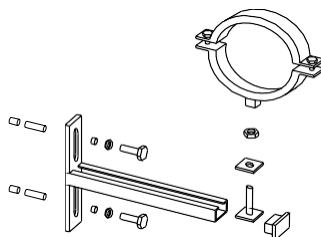
- Nella scelta della barra, tenere presente l'altezza delle connessioni del filtro scelto.
- Per la scatola di accessori controllare il diametro della batterie e il numero delle valvole.
- Per una batteria di un solo filtro sono necessarie due sbarre e due scatole di accessori, per batterie di due o più filtri si consiglia come minimo una sbarra e una scatola per filtro.

Per l'installazione innanzitutto è necessario regolare l'altezza delle ghiera in funzione della batteria e in un secondo momento fissare il supporto nel suolo con l'ancoraggio corrispondente.

#### Supporti di tubatura

Quando viene effettuato il montaggio dell'installazione è necessario mettere supporti nei tratti di tubatura per evitare vibrazioni e svergolamenti che la possano danneggiare o rompere. Per questo motivo si consiglia l'installazione dei seguenti supporti:

Ø Tubatura
75
90
110
125
140
160
200
225



Per l'installazione seguire i passi sottostanti:

- Smontare la ghiera a metà
- Montare la metà interna della ghiera nel supporto di ferro
- Marcare la posizione del supporto
- Fare i fori nella parete
- Fissare il supporto nella parete
- Fissare la tubatura con la briglia

### d. Collegare la batteria o valvola selezionatrice con le tubature di impulsione della/e pompa/e, la tubatura di rimessa alla piscina e la tubatura di scolo



### 3. AVVIAMENTO

**ATTENZIONE, non pulire i componenti in plastica con prodotti che potrebbero intaccarli**

Per un corretto riempimento di setto filtrante dei filtri è essenziale:

#### Verifica

1. Una volta terminata l'installazione e prima di mettere la setto filtrante nei filtri, si consiglia di fare una prova idraulica, sia dei filtri, che dell'installazione, col fine di verificare il buon montaggio della stessa. Svuotare il filtro.
2. Togliere il tappo del filtro cercando di evitare danni al giunto e alla superficie di chiusura del tappo.
3. Verificare che tutte le parti del filtro (bracci collettori, ecc.) siano in buono stato, dato che durante il trasporto potrebbero aver subito qualche guasto.

#### Avviamento

4. Riempire con acqua fino a circa la metà del filtro. Caricare il mezzo filtrante con attenzione, cominciando dagli strati inferiori, (tenendo presente la granulometria di questo rispetto alla fessura del passo del sistema di raccolta) fino a coprire il sistema di raccolta (approssimativamente 10 cm.). Quest'operazione deve essere realizzata con molta accuratezza per non danneggiare le parti che compongono internamente il filtro. Man mano che si riempie il filtro con setto filtrante avere la precauzione di distribuire la setto filtrante su tutta la superficie del filtro.
5. Per favorire la distribuzione omogenea della sabbia è necessario eseguire un lavaggio breve il filtro a metà del processo di ricarica.
6. Introdurre la setto filtrante fino al limite massimo dell'altezza di filtrazione (consultarsi secondo il modello).
7. Pulire scrupolosamente la superficie del collo del filtro, il giunto e il tappo prima di effettuare il montaggio. Chiudere il filtro collocando il giunto in posizione corretta e ponendo il tappo con attenzione perché non si muova dalla sua posizione.

Prima dell'avvio, una volta caricato e opportunamente chiuso il filtro, è necessario effettuare un lavaggio dello stesso. Per fare ciò procedere secondo come viene indicato nella sezione del lavaggio del filtro.

**NOTA: Il fabbricante non è responsabile di nessun danno provocato al filtro durante le operazioni di manipolazione, installazione e avviamento dello stesso**

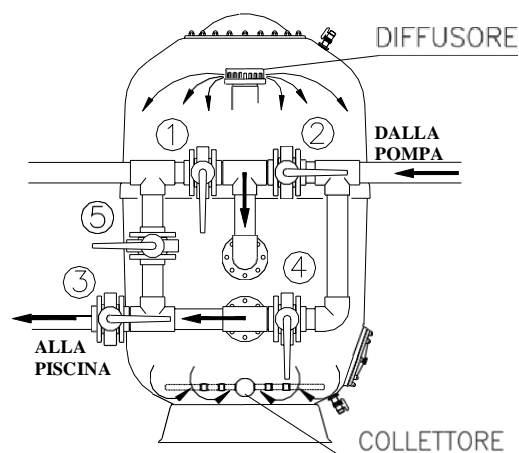
### 4. CICLO NORMALE DI FUNZIONAMENTO

#### 4.1 Filtrazione

CON LA POMPA FERMA, situare le valvole nella posizione che viene indicata nel riquadro come posizione di filtraggio.

Man mano che il letto filtrante si sporca per l'uso, il manometro d'entrata subisce un aumento di pressione mentre il manometro d'uscita subisce una riduzione della pressione di lavoro. Quindi, è opportuno verificare periodicamente i manometri di ingresso/uscita ed effettuare un ciclo di lavaggio quando la differenza di pressione sia uguale o superiore a quella indicata in etichetta.

Al trattarsi di filtri per uso industriale o dotati di **piastra di separazione delle masse**, è raccomandato un ciclo di lavaggio (vd. Sez. 4.2) quando la differenza di pressione raggiunge un massimo di 0,6 bar. **Il differenziale di pressione non deve mai superiore il valore di 0,8 bar.**



**ATTENZIONE: NON SUPERARE MAI LA PRESSIONE MASSIMA AMMISSIBILE DEL FILTRO**

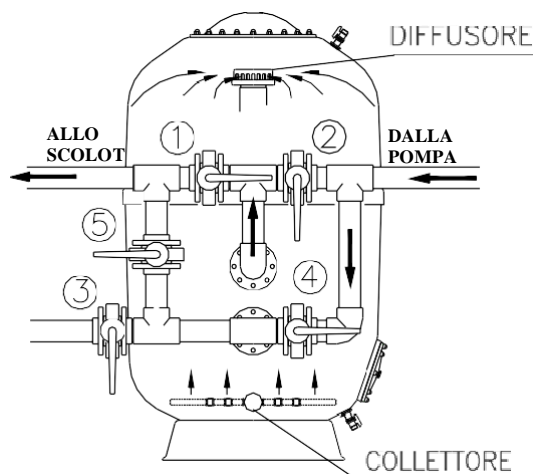
## 4.2 Lavage

Per effettuare l'operazione di lavaggio e **SEMPRE CON LA POMPA FERMA** situare la valvole, come si indica nel riquadro, nella posizione di lavaggio.

Il caricamento di setto filtrante (letto filtrante) forma migliaia di canali di passaggio dell'acqua che logicamente raccolgono le impurità e i residui solidi presenti nell'acqua da filtrare. Con il tempo, questi residui bloccano i canali di passaggio dell'acqua per cui periodicamente è necessario pulire il filtro per lasciarlo in condizioni ottime di lavoro, e versare nello scolo la sporcizia che si trovava nel letto filtrante.

Si raccomanda che la durata del lavaggio sia di 7 minuti ad una velocità compresa tra 40 e 50 m<sup>3</sup>/h/m<sup>2</sup> approssimativamente.

Non eccedere i 50 m<sup>3</sup>/h/m<sup>2</sup> per evitare che parte della massa filtrante sia espulsa verso lo scarico e per non danneggiare il filtro. Consultare le caratteristiche del mezzo filtrante



Quando si utilizza aria, è raccomandabile una velocità di 60 m<sup>3</sup>/h/m<sup>2</sup>. **NON USARE MAI UN COMPRESSORE** perché può danneggiare il filtro. Utilizzare un soffiatore facendo in modo che la pressione interna nel lavaggio non superi 1 bar. Assicurarsi di mantenere lo spurgo dell'aria aperto durante il lavaggio con aria.

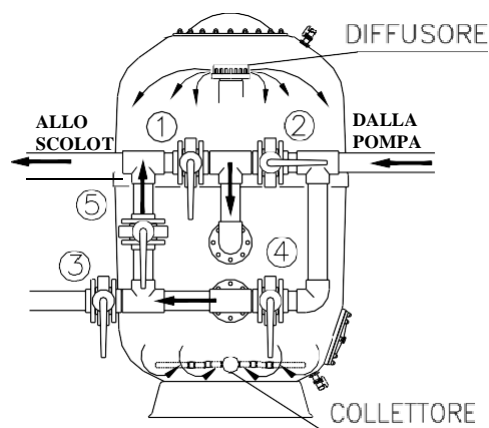
## 4.3 Risciacquo

Operazione che si consiglia di effettuare dopo il LAVAGGIO e che ha per obiettivo espellere verso lo scolo i resti dei residui che potrebbero essere penetrati nei collettori durante la fase di lavaggio del filtro.

Questa operazione deve essere realizzata entro un tempo di 3 minuti ed eviterà la contaminazione da acque torbide.

Per effettuare quest'operazione situare le valvole, come si indica nel riquadro, nella posizione di risciacquo, **SEMPRE CON LA POMPA FERMA**, e subito dopo passare alla posizione di filtraggio.

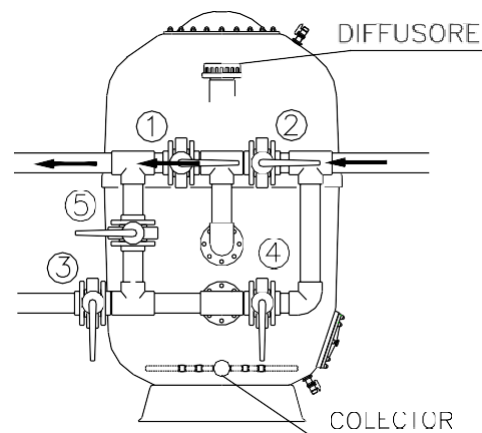
L'operazione di risciacquo può essere effettuata solamente se la batteria è di 5 valvole o se disponiamo di valvola selezionatrice nel filtro.



## 4.4 Svuotamento

Qualora fosse necessario vuotare la piscina e non si disponesse di una presa di fondo collegata allo scarico, l'operazione può essere effettuata utilizzando la pompa di filtrazione e posizionando la valvola selettiva nella posizione indicata nello specchio del paragrafo "scarico".

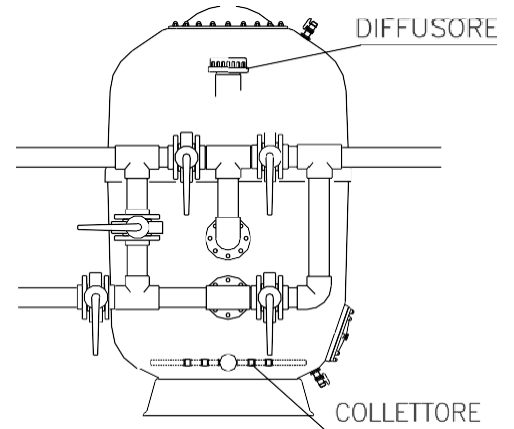
Prima di effettuare questa operazione assicurarsi che le valvole degli skimmer, della vasca di compenso e/o degli aspirafango siano chiuse.



## 4.5 Chiusura

Così come dice il nome tutte le valvole della batteria saranno chiuse.

Quest'operazione viene effettuata per la manutenzione del filtro, la pulizia del prefiltro, ecc. .

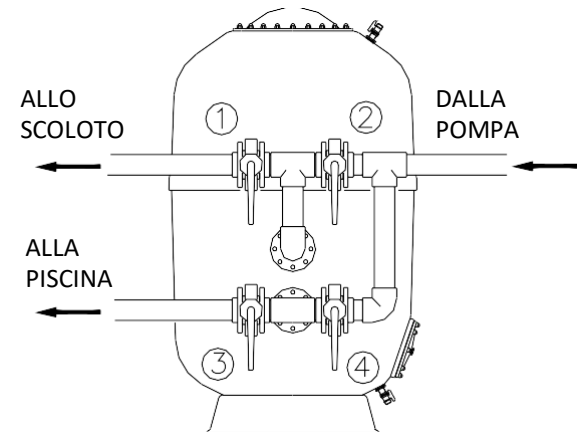


## 5. BATTERIA DI VALVOLE. POSIZIONE DELLE VALVOLE IN OGNI OPERAZIONE

### 5.1 Batterie di 4 valvole

Quadro di manovre per le batterie di 4 valvole.

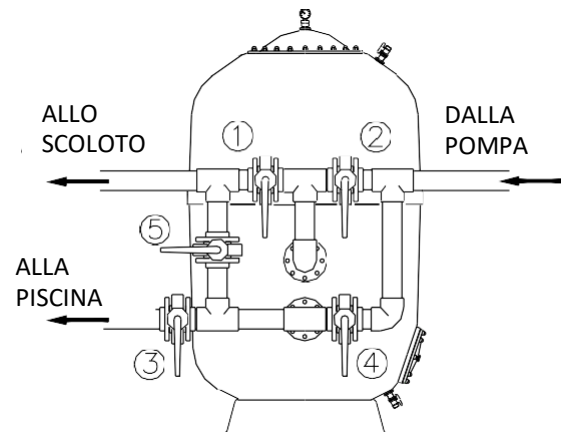
Posizione	1	2	3	4
Filtraggio	Chiusa	Aperta	Aperta	Chiusa
Lavaggio	Aperta	Chiusa	Chiusa	Aperta
Svuotamento	Aperta	Aperta	Chiusa	Chiusa
Chiusura	Chiusa	Chiusa	Chiusa	Chiusa



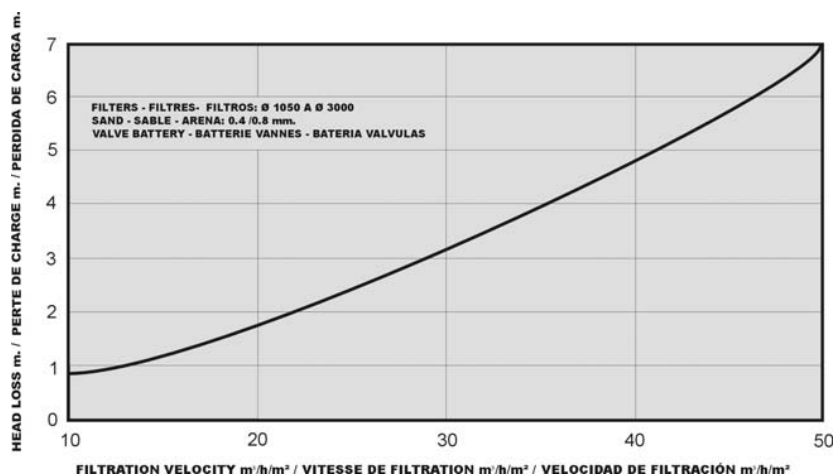
### 5.2 Batterie di 5 valvole

Quadro di manovre per batterie di 5 valvole.

Posizione	1	2	3	4	5
Filtraggio	Chiusa	Aperta	Aperta	Chiusa	Chiusa
Lavaggio	Aperta	Chiusa	Chiusa	Aperta	Chiusa
Risciacquo	Chiusa	Aperta	Chiusa	Chiusa	Aperta
Svuotamento	Aperta	Aperta	Chiusa	Chiusa	Chiusa
Chiusura	Chiusa	Chiusa	Chiusa	Chiusa	Chiusa



## 6. TAVOLA DI PERDITE DI CARICO DEI FILTRI, CON SETTO FILTRANTE



## **7. MANUTENZIONE DEI FILTRI PER PISCINE**

- È importante avere i filtri sempre in buone condizioni, dato che da loro dipende la buona qualità dell'acqua.
- È importante tenere in buone condizioni tutte le parti che compongono i filtri, per questo devono essere controllati assiduamente e si devono sostituire, quando è necessario, i pezzi e i giunti deteriorati.
- Per pulire il filtro non utilizzare solventi dato che possono danneggiare le parti di materiale plastico installate, si può facilmente pulire il filtro con acqua e sapone
- Il filtrato ed i mezzi di ingresso / uscita, dovrebbe essere adeguata e deve essere mantenuta in buone condizioni per evitare la degradazione poliestere.

### **7.1 Svuotamento della setto filtrante del filtro**

Per svuotare il filtro di setto filtrante, procedere nel seguente modo:

1. Svuotare l'acqua del filtro
2. Togliere il tappo
3. Man mano che la setto filtrante esce, toglierla dallo scarico per non tamponarla con la stessa
4. È necessario che una persona entri nel filtro dalla bocca superiore per avvicinare la setto filtrante allo scarico, per facilitarne la fuoriuscita

Per riempire un'altra volta il filtro di setto filtrante seguire le istruzioni in AVVIAMENTO

### **7.2 Periodo di inattività del filtro**

Per non danneggiare le parti che compongono il filtro durante il periodo di inattività è necessario effettuare le seguenti operazioni:

- Realizzare un lavaggio e un risciacquo seguendo le istruzioni
- Fermare la pompa
- Svuotare il filtro d'acqua
- Chiudere la valvole delle tubature di aspirazione e impulsione per isolare il filtro
- Togliere il tappo del filtro per mantenerlo ventilato durante il periodo di inattività
- Si consiglia di svuotare anche tutte le tubature per evitare che si rompano nel caso di gelate.

## **8. AVVERTENZE DI SICUREZZA**

- Prima di manipolare il filtro o le valvole, assicurarsi che la pompa sia ferma e che il filtro sia senza pressione. Per più sicurezza staccare la pompa e le possibili installazioni elettriche esistenti dalla corrente.
- Non collegare mai direttamente il filtro alla rete d'acqua, dato che la pressione della stessa può essere molto elevata e superare la pressione massima del filtro.
- Purificare l'aria dell'interno del filtro sempre prima di dare il via ad un ciclo.
- Dato che le unioni si fanno con dei giunti, non è necessario stringere i bulloni eccessivamente.
- Non pulire i pezzi di plastica con solventi, dato che potrebbero perdere le loro proprietà.
- Non permettere ai bambini di manipolare i filtri e nemmeno di giocarci vicino.
- Proteggere i filtri dalle gelate.
- Prima di collegare la pompa, verificare che il tappo del filtro sia dovutamente chiuso.
- Installare il filtro in una zona fornita di ventilazione e di scarichi adeguati, il più vicino possibile al vaso della piscina e al di sotto del livello dell'acqua della stessa, per evitare che si verifichi una depressione al suo interno.

## 9. RISOLUZIONE DI PROBLEMI O POSSIBILI AVARIE

PROBLEMA	CAUSA	SOLUZIONE
Poco volume d'acqua di filtrazione	Prefiltro della pompa sporco	Pulire il prefiltro
	Il motore della pompa gira al contrario	Invertire il senso di rotazione del motore della pompa
	Filtro sporco	Realizzare "lavaggio"
	Tubature otturate	Procedere alla pulizia delle tubature
	La pompa prende aria	Controllare tutta l'installazione ed eliminare le possibili fughe
Il manometro oscilla violentemente	La pompa prende aria	Ritoccare le fughe d'acqua nel prefiltro e le tubature d'aspirazione
	Aspirazione semi chiusa	Controllare che le valvole di aspirazione siano aperte
La pompa prende aria	Alghie nella piscina	Realizzare il trattamento chimico
	Filtro sporco	Realizzare "lavaggio"
	PH dell'acqua elevato (acqua torbida)	Diminuire il PH
	Mancanza di cloro (acqua verdognola)	Aggiungere cloro
Rapido incremento di pressione bollicine nella bocchetta	Livello d'acqua della piscina basso	Riempire la piscina
	Valvole aspirazione parzialmente chiuse	Controllare e aprire le valvole
	Prefiltro della pompa chiuso	Pulire il prefiltro
Il manometro oscilla violentemente	La pompa prende aria	Verificare tutta l'installazione ed eliminare possibili fughe
	Aspirazione semi chiusa	Verificare che le valvole di aspirazione siano completamente aperte
Presenza di sabbia in piscina proveniente dal filtro	Esiste una rottura nel sistema del collettore	Riparare il sistema
La sabbia fuoriesce dallo scarico durante le operazioni di lavaggio	Portata dell'acqua del lavaggio eccessiva o sabbia eccessiva	Ridurre la portata di acqua del lavaggio o togliere sabbia fino a raggiungere il livello corretto
Fuoriuscite di acqua dai collegamenti o coperchi	Viti non serrate, guarnizioni sporche o mal collocate	Stringere le viti con attenzione per non rompere le parti in materiale plastico, pulire o ricollocare correttamente le guarnizioni. Nel caso che la fuga di acqua non si risolva, mettersi in contatto con il Servizio Tecnico

- **In caso di dubbi, consultare il servizio tecnico**
- **In caso di inadempimento di quanto indicato nel manuale, il fabbricante non si ritiene responsabile degli eventuali danni causati**

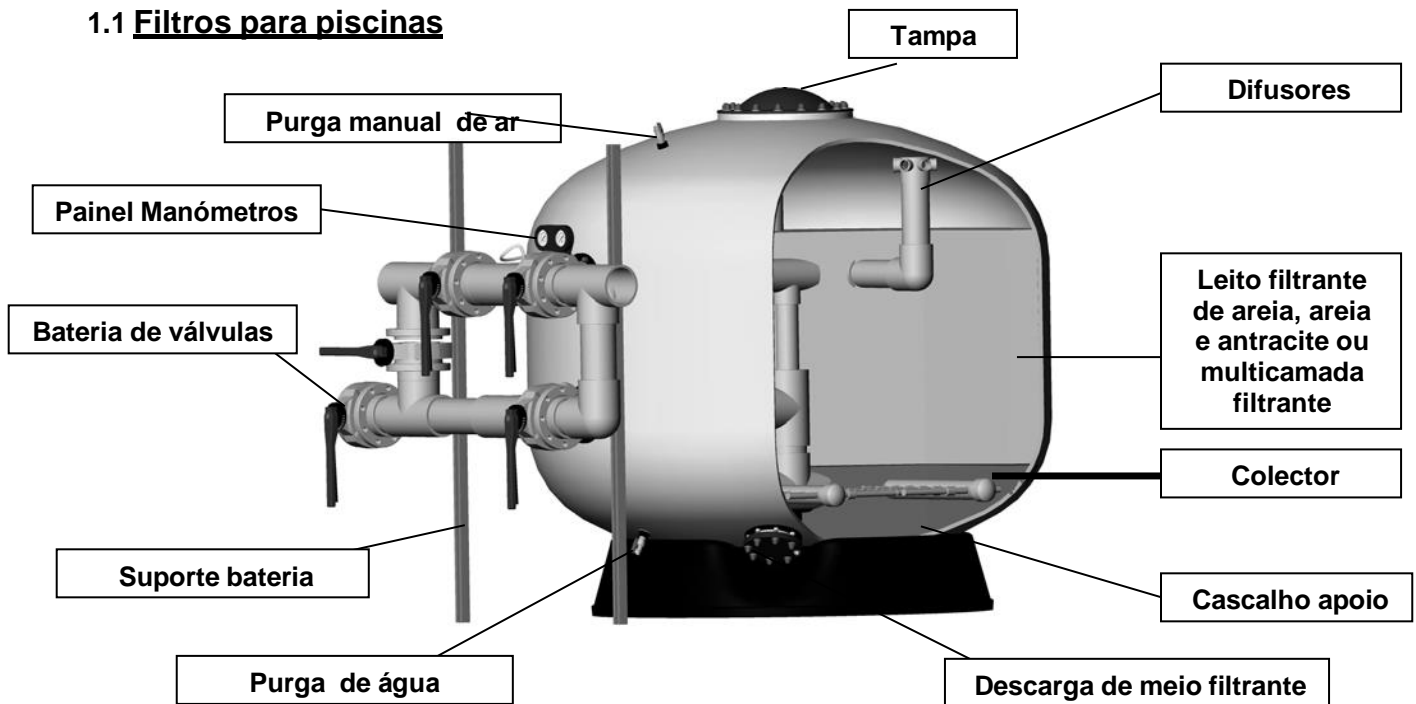
<b>VERIFIQUE A EMBALAGEM</b> .....	<b>1</b>
<b>1. GENERALIDADES</b> .....	<b>1</b>
1.1 Filtros para piscinas.....	1
1.2 Os filtros.....	2
1.3 Eleição dos filtros e do tipo de instalação.....	2
1.3.1 Características dos filtros.....	2
1.3.2 Características da instalação.....	2
<b>2. INSTALAÇÃO</b> .....	<b>3</b>
2.1 Manuseamento dos filtros.....	3
2.2 Instalação dos filtros.....	4
a. Instalar o(os) filtro(s) no seu lugar definitivo.....	4
b. Montar a(s) bateria(s) ou válvula selectora e dos manómetros no(s) filtro(s) correctamente.....	5
c. Instalar os suportes das baterias adequados e regulá-los (altura).....	6
d. Ligar a bateria ou válvula selectora com as tubagens de impulsão da(s) bomba(s), a tubagem de retorno da piscina e a tubagem de drenagem.....	6
<b>3. COMPROVAR FUNCIONAMENTO</b> .....	<b>7</b>
<b>4. CICLO NORMAL DE FUNCIONAMENTO</b> .....	<b>7</b>
4.1 Filtração.....	7
4.2 Lavagem.....	8
4.3 Enxugamento.....	8
4.4 Esvaziamento.....	8
4.5 Fechar.....	9
<b>5. BATERIA DE VÁLVULAS POSIÇÃO DESTAS EM CADA OPERAÇÃO</b> .....	<b>9</b>
5.1 Baterias de 4 válvulas.....	9
5.2 Baterias de 5 válvulas.....	9
<b>6. TABELA DE PERDAS DE CARGA DOS FILTROS, COM LEITO FILTRANTE</b> .....	<b>9</b>
<b>7. MANTIMENTO DOS FILTROS PARA PISCINAS</b> .....	<b>10</b>
7.1 Esvaziamento da leito filtrante do filtro.....	10
7.2 Período Invernal do filtro.....	10
<b>8. ADVERTÊNCIAS DE SEGURANÇA</b> .....	<b>10</b>
<b>9. SOLUÇÃO DE PROBLEMAS OU POSSÍVEIS AVARIAS</b> .....	<b>11</b>

# VERIFIQUE A EMBALAGEM

Verificar se o filtro e todos os seus componentes se encontram em bom estado depois do transporte. Junto ao filtro se encontra uma caixa que contém os manómetros e outros acessórios auxiliares que incluem este manual. Também se encontra a documentação necessária de garantia.

## 1. GENERALIDADES

### 1.1 Filtros para piscinas



Os filtros são indubitavelmente os acessórios mais importantes para a clarificação da água. E o seu uso tem por objecto eliminar as matérias em suspensão que contaminam a água.

A eficácia de uma filtração correcta condiciona os resultados do tratamento da água.

O princípio físico da filtração consiste em reter as partículas em suspensão que leva a água durante a sua passagem através do leito de leito filtrante filtrante

O processo de filtração e depuração da água inclui uma variedade de elementos a ter em conta, tais como o filtro, as bombas, tratamentos químicos da água, acessórios de esvaziamento da piscina para assegurar o retorno e a aspiração da água, assim como elementos capazes de assegurar uma correcta circulação e mantimento da qualidade da água

Normalmente cada país tem a sua legislação, e a elas devem recorrer os instaladores antes de realizar qualquer desenho ou instalação. Para isso deverão desenhar e definir os elementos e materiais do projecto respeitando as normas estabelecidas

A qualidade de filtração depende de vários parâmetros: concepção do filtro e da sua forma, altura do leito filtrante, características e granulometria da massa filtrante, etc. É que verificar que a velocidade de filtração é uma característica determinante para obter uma boa qualidade de filtrado

Outros conceitos importantes a ter em conta na eleição de um filtro são as características dos materiais usados na sua fabricação, a sua temperatura de uso e a sua pressão de trabalho.

## 1.2 Os filtros

Para o fabrico do depósito dos filtros utilizam-se materiais como, por exemplo, as resinas de poliéster e as fibras de vidro. No seu interior incorporam um colector e um difusor de material plástico

E são fornecidos para uma pressão máxima admissível e temperatura indicadas na etiqueta do filtro. **Esta pressão e esta temperatura nunca devem ser ultrapassadas, representando o nível máximo.** O nível habitual de trabalho deverá estar sempre **no máximo 20% abaixo** da pressão máxima admissível.

# USO EXCLUSIVO PARA PISCINAS

## 1.3 Eleição dos filtros e do tipo de instalação

### 1.3.1 Características dos filtros

Para uma correcta filtração da água da piscina, recomenda-se que os tempos máximos de recirculação de todo o volume da água da piscina para filtrar seja de:

Piscinas públicas	4 horas
Piscinas residencial	8 horas
Piscinas públicas para crianças	1,5 horas

Por outra parte, outro parâmetro importante do qual depende directamente a qualidade da filtração é a velocidade de passagem da água através dos filtros. Recomendamos assim as seguintes velocidades:

Piscinas públicas	20 m <sup>3</sup> /h/m <sup>2</sup>
Piscinas residenciales	40 m <sup>3</sup> /h/m <sup>2</sup>

Para outras aplicações, a velocidade de filtração dependerá da velocidade da água efluente, da aplicação e da própria concepção da instalação. Em qualquer caso, deve-se consultar a normativa do território.

Para uma boa filtração recomendamos não exceder os 40 m<sup>3</sup>/h/m<sup>2</sup>, tendo em conta que a qualidade de filtração depende directamente da granulometria da leito filtrante e da altura do leito filtrante.

Os filtros estão desenhados para trabalhar á pressão. Em caso de haver situações de **depressão**, é imprescindível a instalação de uma **válvula de ventosa de duplo efeito**.

É necessário assegurar que a instalação se adequa aos filtros para evitar sobrepensões e depressões.

### 1.3.2 Características da instalação

Para a eleição da bomba à que ter em conta o caudal necessário a 10 m c a.

É necessário que a instalação disponha de um pré-filtro com as características necessárias.

Em relação ao número de bombas a instalar é aconselhável por a mesma quantidade de bombas que de filtros, cada uma delas com o caudal necessário para conseguir a velocidade de filtração desejada num filtro

No entanto, é aconselhável que a impulsão de cada uma das bombas desemboque numa tubagem geral de impulsão que se dirija aos filtros. De esta forma, quando os filtros filtrem a água da piscina a totalidade das bombas estarão a funcionar, enquanto se queira fazer uma lavagem dos filtros por partes, isto é, com todas as bombas funcionando se encerrará um determinado número de filtros (para conseguir uma velocidade de lavagem de 40 a 50 m<sup>3</sup>/h/m<sup>2</sup>) Uma vez lavado o primeiro grupo de filtros, estes se fecharão e se lavará o segundo grupo

Com esta montagem eliminamos a necessidade de ter bombas de sobra para a lavagem dos filtros



Como na impulsão, é aconselhável que a tubagem de aspiração de cada bomba proceda de uma tubagem geral de aspiração da água da piscina

Para obter uma boa qualidade da água da piscina, é necessário desenhar uma instalação de forma que a água que se tem que filtrar proceda tanto da superfície como do fundo da piscina

No cálculo da tubagem de aspiração e retorno da água da piscina se deve ter em conta as seguintes velocidades:

- Linha de retorno da água filtrada à piscina: Velocidade máxima na linha : 2 m/sg
- Linha de aspiração de água a filtrar: Velocidade máxima na linha : 1,5 m/sg

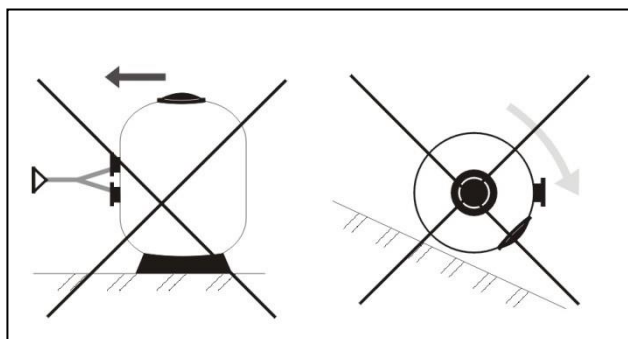
É importante que a instalação seja concebida para manter um mínimo de estabilidade (evitar um excesso de arranques e paragens de bombas) tendo por objectivo evitar contínuas e variações de pressão no filtro contínuas e desnecessárias, dado que isso pode causar fadiga e reduzir a sua vida útil.

Além disso, para reduzir este efeito, é recomendável que nos arranques e nas paragens de bombas se use um variador de frequência na bomba para que o aumento ou a redução de pressão sejam criados da forma mais linear possível.

## 2. INSTALAÇÃO

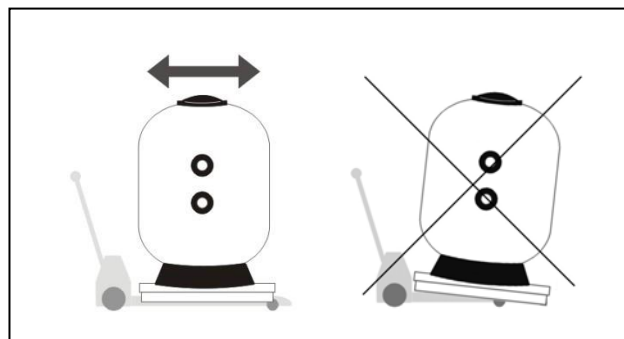
### 2.1 Manuseamento dos filtros

NOTA: Os filtros entregam-se convenientemente embalados e devido ao seu peso, tamanho e dificuldades existentes na sua localização em obra, recomenda-se que a manipulação e deslocalização dos mesmos se realize por meios mecânicos (carretos elevadores, guias etc ).

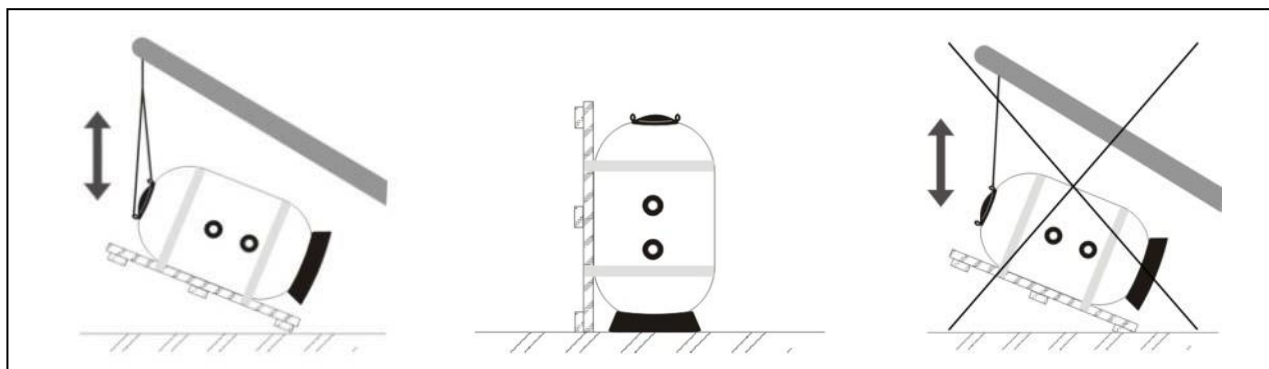


Nunca arraste o filtro

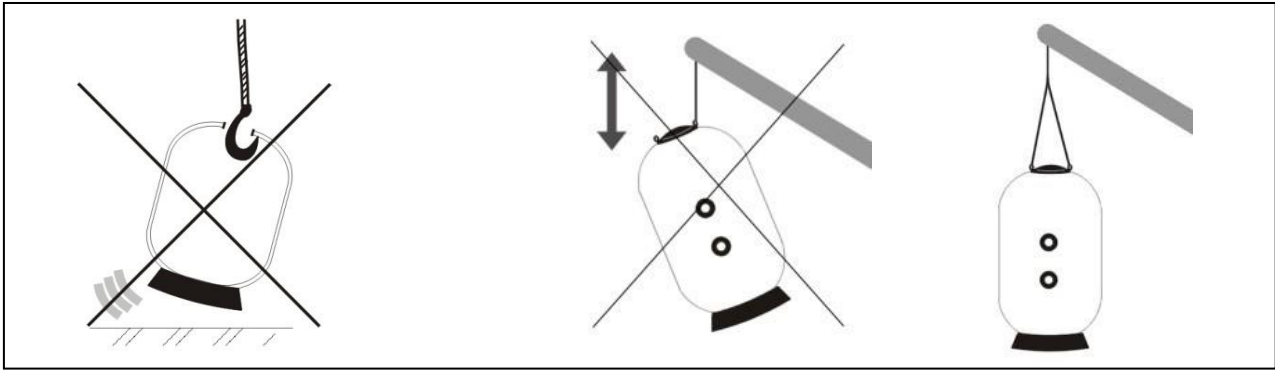
Nunca faça rodar o filtro



Utilize a transpalete ou touro com as pás adequadas para transportar o filtro



Utilize ambas as argolas para pôr em posição vertical os filtros transportados em posição horizontal



**É PROIBIDO o uso de ganchos para transportar os filtros**

**Utilize ambas as argolas para transportar os filtros**

A carga de leito filtrante deve realizar-se uma vez instalado o filtro no seu lugar definitivo seguindo as instalações das indicações de COMPROVAR FUNCIONAMENTO.

## **2.2 Instalação dos filtros**

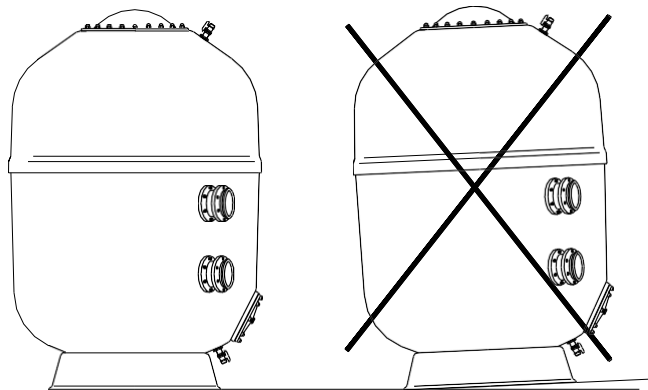
As fases a seguir para uma correcta instalação dos filtros são as seguintes:

### **a. Instalar o(os) filtro(s) no seu lugar definitivo**

É conveniente que a casita onde estão instalados os filtros esteja provida de ventilação e das drenagens adequadas para que, em caso de acidente, a água que poderá sair de qualquer tubagem, filtro, bomba, etc Possa ser evacuada, evitando assim o risco de danos às instalações existentes (bombas, quadros eléctricos, etc )

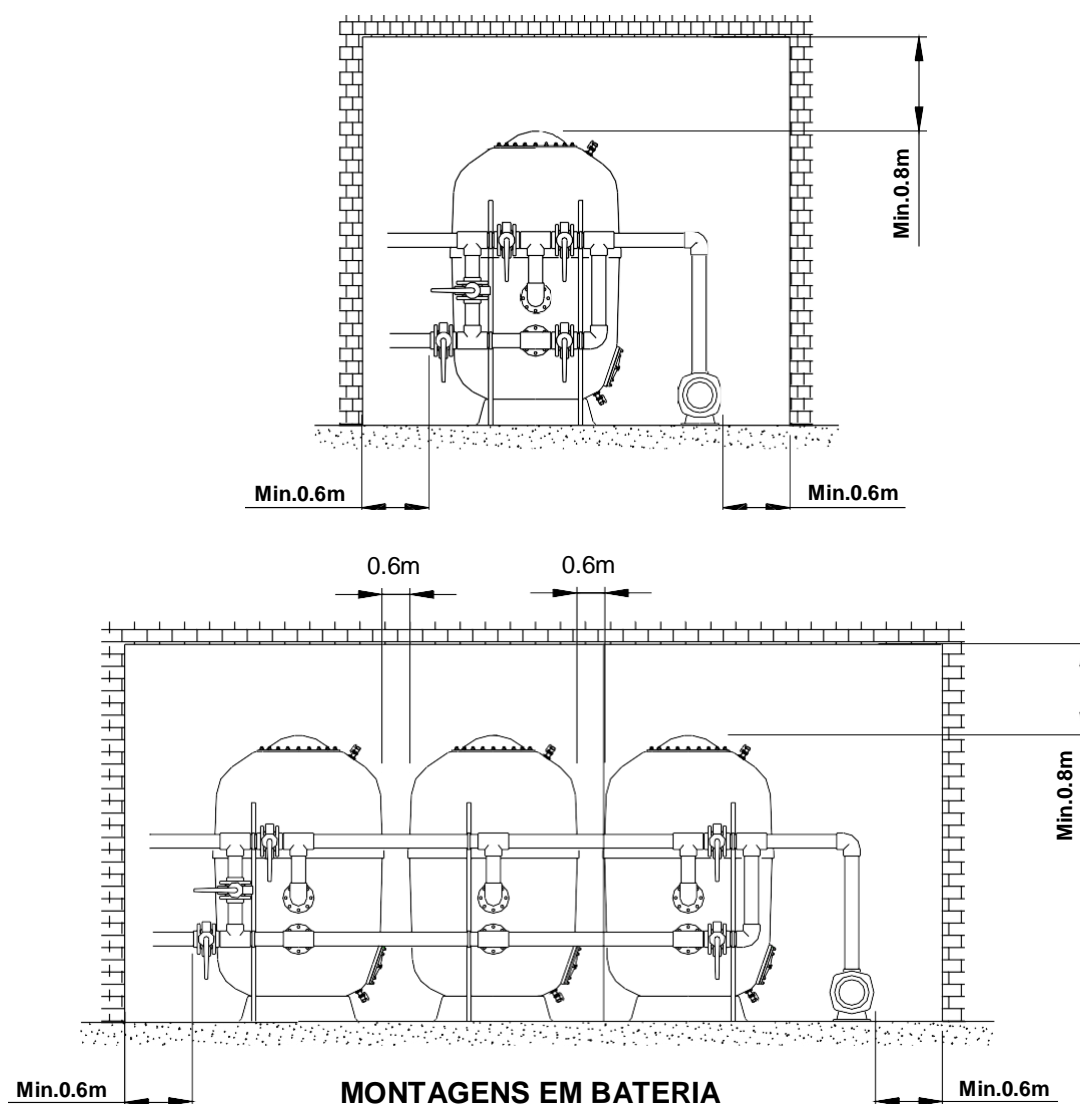
Se por qualquer circunstância não se possa dispor de estas drenagens, se deverá instalar um sistema alternativo automatizado para evacuar a água da sala.

A instalação dos filtros far se á de forma a que a base fique totalmente apoiada no chão e sobre um plano totalmente horizontal.



**Apoiar o filtro sobre um plano totalmente horizontal**

Dado que os filtros requerem revisões periódicas e em previsão de eventuais intervenções no interior é **IMPRESINDÍVEL** deixar um mínimo de espaço livre ao redor e sobre os filtros.



Uma vez concluída a instalação e antes de pôr a areia no filtro, é conveniente que ponha a instalação em funcionamento e que verifique se existem fugas e se todos os elementos funcionam correctamente.

**b. Montar a(s) bateria(s) ou válvula selectora e dos manómetros no(s) filtro(s) correctamente**

Uma vez instalado o painel de manómetros na flange de entrada ao filtro observar a presença de tubos de plástico flexível transparentes, os quais devem ligar-se entre os manómetros e os orifícios de 1/4" GAS da bateria. O painel de manómetros identifica perfeitamente o manómetro que controla a pressão de saída.



### c. Instalar os suportes das baterias adequados e regulá-los (altura)

#### Suportes das baterias

Uma vez que se instale a bateria deve ser instalado suportes especiais para aguentar o peso da bateria e da água que por ela circula

Se recomenda a instalação dos seguintes suportes reguláveis em altura:

<b>TUBO DE AÇO ZINCADO (BARRAS)</b>	
Altura de 1,85 m	
Altura de 2,30 m	
Altura de 3,00 m	
<b>CAIXA ACESSÓRIOS:</b>	
2 braçadeiras anti-vibração, taco de fixação e acessórios	
Para tubo Ø75	Para tubo Ø160 - 4 válvulas
Para tubo Ø90	Para tubo Ø200 - 4 válvulas
Para tubo Ø110	Para tubo Ø225 - 4 válvulas
Para tubo Ø125	Para tubo Ø160 - 5 válvulas
Para tubo Ø140	Para tubo Ø200 - 5 válvulas
	Para tubo Ø225 - 5 válvulas



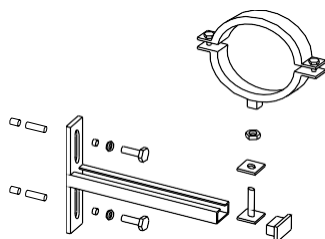
- Na escolha da barra, tenha em conta a altura das conexões do filtro escolhido
- Para a caixa de acessórios ver o diâmetro das baterias e o número de válvulas
- Para uma bateria de um só filtro é necessário duas barras e duas caixas de acessórios, para baterias de dois ou mais filtros é aconselhável como mínimo uma barra e uma caixa por filtro

Para a sua instalação primeiro é necessário regular a altura das braçadeiras em função da bateria e posteriormente fixar o suporte no chão com a fixação correspondente

#### Suportes dos tubos

Quando se realiza a montagem da instalação é necessário por suportes em várias partes dos tubos para evitar vibrações e flexões que as possam estragar ou romper Por este motivo se recomenda a instalação dos suportes:

<b>Ø Tubos</b>
75
90
110
125
140
160
200
225



Para a sua instalação seguir os seguintes passos:

- Desmontar a braçadeira em duas metades
- Montar a metade interior da braçadeira no suporte de ferro
- Marcar a posição do suporte
- Fazer os buracos na parede
- Fixar o suporte na parede
- Fixar os tubos com o freio

### d. Ligar a bateria ou válvula selectora com as tubagens de impulsão da(s) bomba(s), a tubagem de retorno da piscina e a tubagem de drenagem

### 3. COMPROVAR FUNCIONAMENTO

**ATENÇÃO, não limpe os componentes plásticos com produtos que os possam atacar**

Para um correcto enchimento de leito filtrante nos filtros é essencial:

#### Verificação

1. Uma vez terminada a instalação e antes de por a leito filtrante nos filtros, é aconselhável fazer uma prova hidráulica, tanto dos filtros como da instalação, a fim de comprovar a boa montagem da mesma. Esvazie o filtro.
2. Retirar a tampa do filtro procurando evitar estragos na junta e na superfície de fecho da tampa.
3. Comprovar que todos os componentes do filtro (braços colectores, etc ) estão em bom estado, já que durante o transporte poderiam ter sofrido algum estrago.

#### Comprovar funcionamento

4. Encher de água até à metade do filtro aproximadamente. Carregue cuidadosamente o meio filtrante, começando pelas camadas inferiores, (tendo em conta a granulometria deste relativamente à ranhura de passagem do sistema colector) até cobrir o sistema colectores (aproximadamente uns 10 cm ) Esta operação deve realizar-se com muito cuidado para não estragar os componentes interiores do filtro. À medida que se encha o filtro com leito filtrante à que ter a precaução de repartir a leito filtrante por toda a superfície do filtro.
5. Para auxiliar a distribuição homogénea da areia é necessária a realização de uma lavagem breve o filtro para metade do processo de carregamento.
6. Introduzir a leito filtrante até ao limite máximo da altura de filtração (referem-se a modelo).
7. Limpar cuidadosamente a superfície do fundo do filtro, a junta e a tampa antes de efectuar a montagem. Fechar o filtro colocando a junta em posição correcta e pondo a tampa com cuidado para não deslocá-la da sua posição.

Antes da prova de funcionamento, uma vez carregado e convenientemente fechado o filtro, é necessário efectuar uma lavagem do mesmo. Para isso à que proceder segundo o que dizem as indicações de lavagem do filtro.

**NOTA: O fabricante não se considera responsável por qualquer dano ocasionado no filtro durante as operações de manuseamento, instalação e colocação do mesmo em funcionamento.**

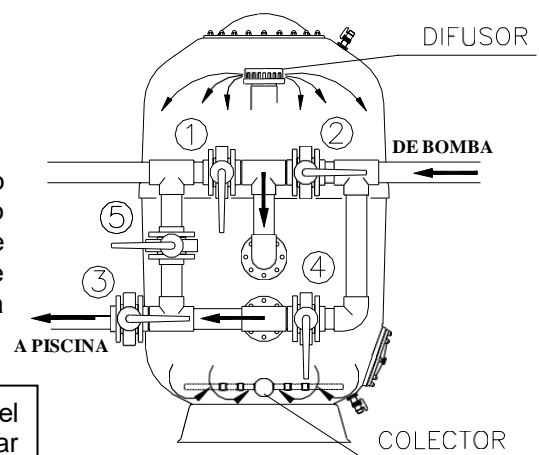
### 4. CICLO NORMAL DE FUNCIONAMENTO

#### 4.1 Filtração

COM A BOMBA PARADA, situar as válvulas na posição que se indica no quadro, posição de filtragem.

À medida que o leito do filtro se suja pelo seu uso, o manómetro de entrada experimenta um aumento de pressão ao tempo que o manómetro de saída sofre uma redução. Portanto, é conveniente observar periodicamente os manómetros de entrada e saída e efectuar uma lavagem do filtro quando a diferença de pressão seja igual ou superior ao indicado no rótulo.

Quando se trata de **filtros com placa de crepinas**, é recomendável realizar a lavagem quando a diferença de pressão seja 0,6 bar. **Esta nunca puede exceder de 0,8 bar**



**ATENÇÃO: NUNCA ULTRAPASSE A PRESSÃO MÁXIMA ADMISSÍVEL DO FILTRO**

## 4.2 Lavagem

Para efectuar a operação de lavagem e SEMPRE COM A BOMBA PARADA situar as válvulas na posição que se indica no quadro, posição de lavagem.

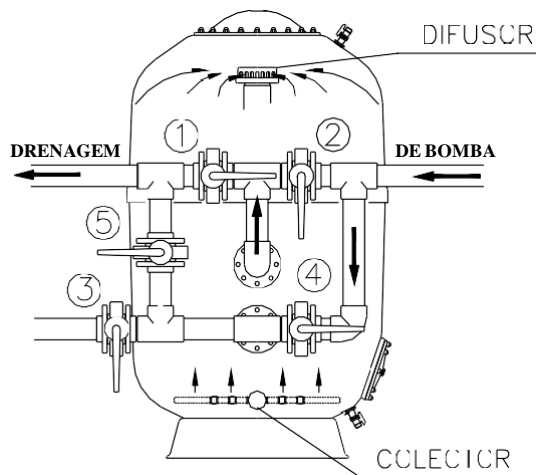
A carga de leito filtrante (leito do filtro) forma muitos canais de passagem da água que logicamente recolhem as impurezas e resíduos sólidos que acompanham a água a filtrar. Com o tempo, estes resíduos bloqueiam estes canais de passagem da água sendo periodicamente necessário limpar o filtro para deixá-lo em óptimas condições de trabalho, e verter escoando a sujidade que havia no leito do filtro.

Recomenda-se que a duração da lavagem seja de 7 minutos a uma velocidade entre 40 e 50 m<sup>3</sup>/h/m<sup>2</sup> aproximadamente.

É aconselhável por um visor nos tubos de drenagem de forma que quando se realiza uma lavagem se possa observar a sujidade da água procedente do filtro e assim poder determinar a duração de lavagem

No se deve exceder de 50 m<sup>3</sup>/h/m<sup>2</sup> para evitar que parte da leito filtrante seja expulsa no desagúe e para que evite provocar danos no filtro. Consulte-nos para saber quais as características do meio filtrante.

Quando utilizar ar, é recomendável uma velocidade de 60 m<sup>3</sup>/h/m<sup>2</sup>. NUNCA SE DEVE USAR UM COMPRESSOR, dado que pode danificar o filtro. Deve-se utilizar um soprador, tentando fazer com que a pressão interna na lavagem não ultrapasse 1 bar. Certifique-se de que tem a purga de ar aberta durante a lavagem com ar.



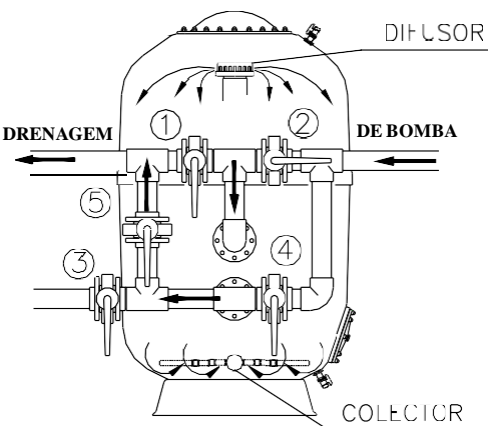
## 4.3 Enxugamento

Operação recomendada a efectuar depois da LAVAGEM que tem por objectivo expulsar drenando os restos de resíduos que puderam ter penetrado nos colectores durante a fase de lavagem do filtro.

Esta operação deve ser efectuada num espaço de 3 minutos, para se evitar a contaminação por águas turva.

Para efectuar esta operação situar as válvulas na posição que se indica no quadro, posição de enxagúe, SEMPRE COM A BOMBA PARADA, e imediatamente depois passar à posição de filtragem.

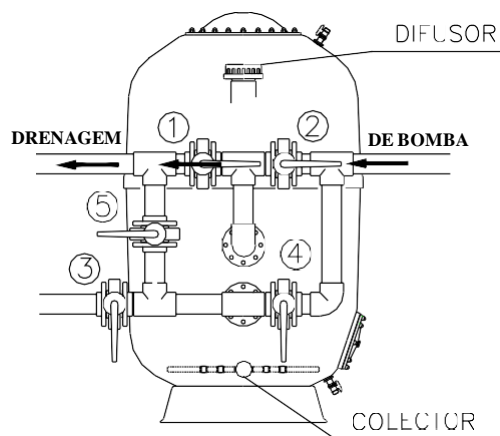
A operação de enxagúe só pode realizar-se se a bateria é de 5 válvulas ou se dispomos de válvula selectora no filtro.



## 4.4 Esvaziamento

Quando seja necessário esvaziar a piscina e no caso de que esta não disponha de drenagem no fundo ligada directamente com os tubos de escoamento pode efectuar-se o esvaziamento por meio da bomba do filtro situando as válvulas na posição que indica o quadro nas indicações de esvaziamento.

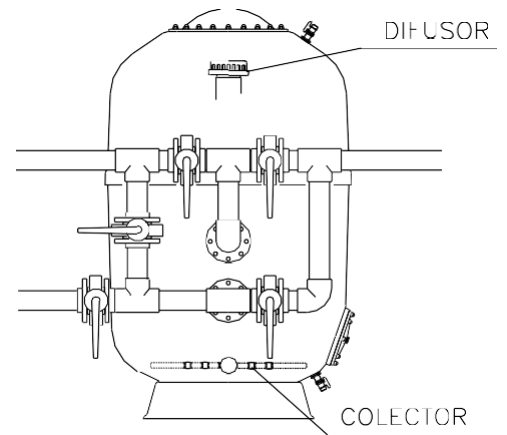
Para isso e antes de ligar o esvaziamento é necessário que as válvulas dos skimmers, canal de saída e limpa fundos estejam fechados.



## 4.5 Fechar

Tal como o seu nome indica todas as válvulas da bateria estão fechadas.

Esta operação é utilizada para efectuar o mantimento do filtro, limpeza do pré-filtro, etc.

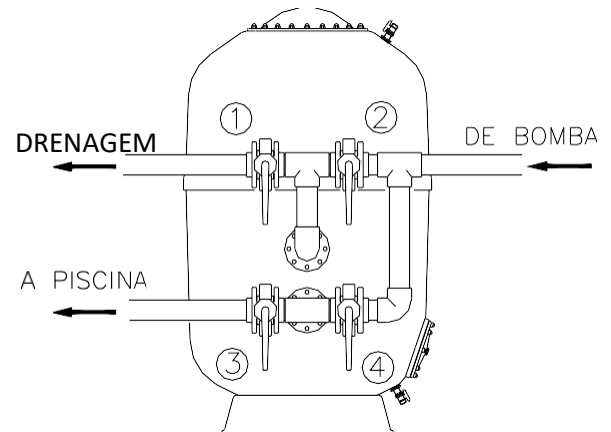


## 5. BATERIA DE VÁLVULAS POSIÇÃO DESTAS EM CADA OPERAÇÃO

### 5.1 Baterias de 4 válvulas

Quadro de manobras para baterias de 4 válvulas.

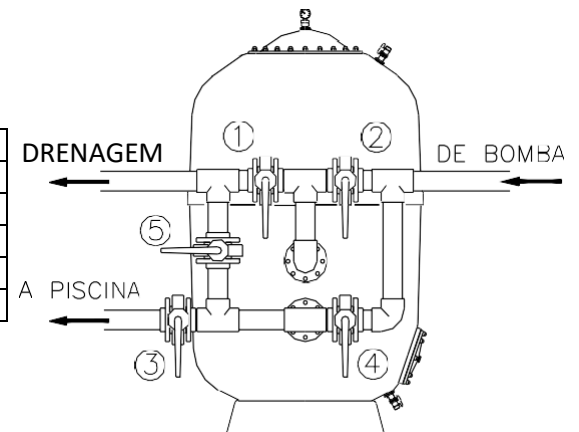
Posição	1	2	3	4
Filtragem	Fechada	Aberta	Aberta	Fechada
Lavagem	Aberta	Fechada	Fechada	Aberta
Esvaziamento	Aberta	Aberta	Fechada	Fechada
Fecho	Fechada	Fechada	Fechada	Fechada



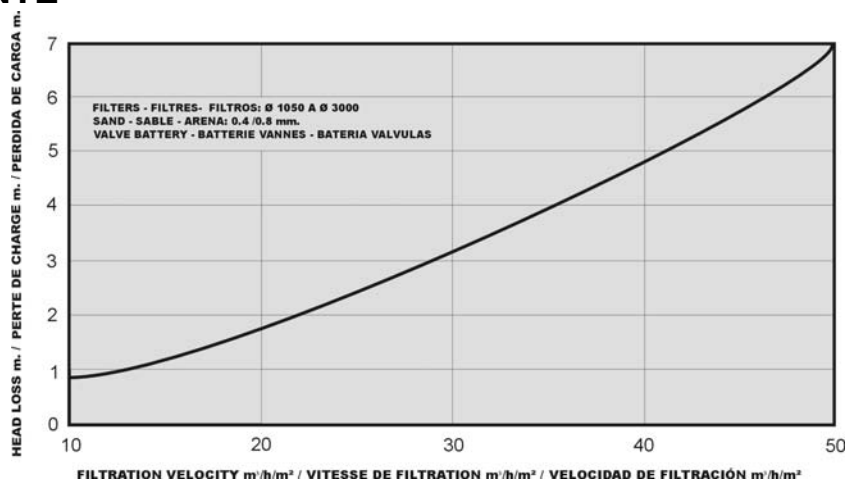
### 5.2 Baterias de 5 válvulas

Quadro de manobras para baterias de 5 válvulas.

Posição	1	2	3	4	5
Filtragem	Fechada	Aberta	Aberta	Fechada	Fechada
Lavagem	Aberta	Fechada	Fechada	Aberta	Fechada
Enxagúe	Fechada	Aberta	Fechada	Fechada	Aberta
Esvaziamento	Aberta	Aberta	Fechada	Fechada	Fechada
Fecho	Fechada	Fechada	Fechada	Fechada	Fechada



## 6. TABELA DE PERDAS DE CARGA DOS FILTROS, COM LEITO FILTRANTE



## **7. MANTIMENTO DOS FILTROS PARA PISCINAS**

- É importante ter sempre os filtros em condições, pois de estes depende a boa qualidade da água
- É importante ter todos os componentes do filtro em condições. Para isso devem-se testar assiduamente e substituir quando peças e juntas deterioradas o necessitem
- Para limpar o filtro não se deve utilizar dissolventes pois podem estragar os componentes de material plástico instalados nestes, pode-se sim limpar o filtro facilmente com água e sabão.
- O leito filtrante deve ser trocado periodicamente. Consulte o seu fornecedor.
- Os meios de comunicação filtrado e as ligações de entrada / saída, deve ser suficiente e deve ser mantido em boas condições a fim de evitar a degradação do poliéster.

### **7.1 Esvaziamento da leito filtrante do filtro**

Para esvaziar o filtro de leito filtrante, proceder da seguinte maneira:

1. Esvaziar a água do filtro.
2. Tirar a tampa.
3. À medida que a leito filtrante vai saindo, afastá-la do purgante para que não o entupa.
4. É necessário que uma pessoa entre no filtro pela boca superior para ir aproximando a leito filtrante ao purgante para facilitar a sua saída.

Para voltar a encher o filtro de leito filtrante seguir as instruções de COMPROVAR FUNCIONAMENTO.

### **7.2 Período Invernal do filtro**

Para não danificar os componentes do filtro durante o período invernal é necessário realizar as seguintes operações

- Realizar uma lavagem e enxagúe segundo as instruções
- Parar a bomba
- Esvaziar o filtro de água
- Fechar as válvulas dos tubos de aspiração e impulsão para isolar o filtro
- Tirar a tampa do filtro para mantê-lo ventilado durante o período de inactividade
- É aconselhável esvaziar também todos os tubos para evitar a sua rotura no caso de congelarem.

## **8. ADVERTÊNCIAS DE SEGURANÇA**

- Antes de manipular o filtro ou válvulas, assegure-se que a bomba está parada e o filtro está sem pressão. Para mais segurança desligar a bomba e possíveis instalações eléctricas existentes.
- Nunca ligar directamente o filtro à rede de água, já que a pressão desta pode ser muito elevada e exceder a pressão máxima do filtro.
- Evacuar o ar do interior do filtro sempre antes de iniciar um ciclo.
- Relativamente às uniões feitas com juntas, não é necessário apertar as porcas demasiado.
- Não limpar as peças de plástico com dissolventes, pois poderão perder as suas propriedades.
- Não permita às crianças mexer nos filtros nem brincar perto deles.
- Proteger os filtros das intempéries.
- Antes de ligar a bomba, comprovar que a tampa do filtro está devidamente fechada.
- Instale o filtro numa zona equipada com ventilação e com esgotos adequados, o mais próximo possível da bacia da piscina e abaixo do nível da água da piscina, para evitar que se verifique uma depressão no seu interior.



## 9. SOLUÇÃO DE PROBLEMAS OU POSSÍVEIS AVARIAS

PROBLEMA	CAUSA	SOLUÇÃO
Pouco caudal de filtração	Pré-filtro da bomba sujo	Limpar pré-filtro
	O motor da bomba gira ao contrário	Inverter o sentido de rotação do motor da bomba
	Filtro sujo	Realizar “lavagem”
	Tubos entupidos	Proceder à sua limpeza
	A bomba ganha ar	Comprovar toda a instalação e eliminar possíveis fugas
O manómetro oscila violentamente	A bomba ganha ar	Verificar fugas de água no pré-filtro e tubos de aspiração
	Aspiração semi-fechada	Comprovar que as Válvulas de aspiração estejam abertas
A bomba ganha ar	Algas na piscina	Realizar tratamento químico
	Filtro sujo	Realizar “lavagem”
	PH da água elevado (água turva)	Diminuir o PH
	Falta de cloro (água esverdeada)	Introduzir cloro
Rápido incremento de pressão borbulhas nas boquilhas	Nível da água da piscina baixo	Encher piscina
	Válvulas aspiração parcialmente fechadas	Comprovar e abrir as Válvulas
	Pré-filtro da bomba sujo	Limpar pré-filtro
O manómetro oscila violentamente	A bomba apanha ar	Verifique toda a instalação e elimine as eventuais fugas
	Aspiração semi-fechada	Verifique se as válvulas de aspiração estão totalmente abertas
Há areia proveniente do filtro na piscina	Há ruptura no sistema colector	Repare o sistema
A areia escapa-se para o esgoto na operação de lavagem	Excesso de caudal de água de lavagem ou excesso de areia	Reduza o caudal de água de lavagem ou retire areia até ter o nível correcto
Ha fuga nas ligações ou nas tampas	Parafusos soltos, juntas sujas ou mal colocadas	Apertar os parafusos com cuidado de não estragar as peças de plástico, limpar as juntas ou coloca las corretamente. No caso de não solucionar o problema coloque se em contato com o serviço tecnico

- **Em caso de dúvida, consulte o serviço de assistência técnica**
- **Em caso de incumprimento do manual, o fabricante não se responsabiliza pelos eventuais danos causados**

00545E201-01

**POLTANK S.A.U.**  
Polígon industrial Pla de Politger s/n  
17854 Sant Jaume de Llierca ((Girona) España)

- WE RESERVE THE RIGHT TO TOTALLY OR PARTIALLY CHANGE THE CHARACTERISTICS OF OUR ARTICLES OR THE CONTENTS OF THIS DOCUMENT WITHOUT PRIOR NOTICE.
- NOUS RÉSERVONS LE DROIT DE MODIFIER INTÉGRALEMENT OU PARTIELLEMENT LES CARACTÉRISTIQUES DE NOS PRODUITS OU LE CONTENU DE CE MANUEL SANS PRÉAVIS.
- NOS RESERVAMOS EL DERECHO DE CAMBIAR TOTAL O PARCIALMENTE LAS CARACTERÍSTICAS DE NUESTROS ARTÍCULOS O EL CONTENIDO DE ESTE DOCUMENTO SIN PREVIO AVISO.
- TEILWEISE ODER KOMPLETTE ÄNDERUNGEN DER ARTIKELEIGENSCHAFTEN SOWIE DES VORLIEGENDEN DOKUMENTENINHALTES OHNE VORHERIGE ANKÜNDIGUNG VORBEHALTEN.
- CI RISERVIAMO IL DIRITTO DI CAMBIARE TOTALMENTE O PARZIALMENTE LE CARATTERISTICHE DEI NOSTRI ARTICOLI O IL CONTENUTO DI QUESTO DOCUMENTO SENZA PREVIO AVVISO.
- RESERVAMOS O DIREITO DE ALTERAR TOTAL OU PARCIALMENTE AS CARACTERISTICAS DOS NOSSOS PRODUTOS OU O CONTEÚDO DESTE DOCUMENTO SEM AVISO PRÉVIO.